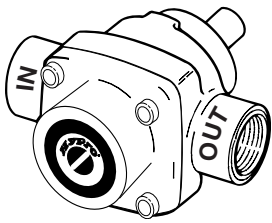


Installation, Operation, Repair and Parts Manual

Description

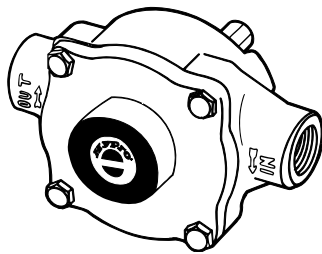
Hypro roller pumps are designed for agricultural and industrial spraying and transfer of a variety fluids. These include insecticides, herbicides, emulsives, aromatic solvents, liquid fertilizers and many other liquids. The economical rotary-action roller principle requires no check valves while providing positive displacement characteristics with less friction and lower starting torque than other pumps. Construction features include a cast-

iron, Ni-Resist or the new SilverCast™ body, 416 stainless steel shaft, sealed factory-lubricated ball bearings, cartridge-type lip seals of Viton, Buna-N, and versatile Super Rollers. (Super Rollers feature the life of nylon and the chemical resistance of polypropylene.) Rotation for all models is counterclockwise for easy tractor PTO drive, **except models 4001 and 4101 which are clockwise.** Pumps are available in reverse rotation.



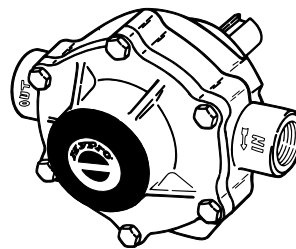
SERIES 4001 & 4101
4-ROLLER PUMP

Max. Flow Rate:9 gpm (4001)
7 gpm (4101)
Max. Pressure:150 psi
Max. RPM:1800 rpm (4001)
2600 rpm (4101)
Ports:3/4" NPT Inlet & Outlet
Shaft:5/8" Dia. (Solid)
1/2" Dia. (Hollow)
Continuous Operation.....100 psi
Intermittent Operation.....150 psi



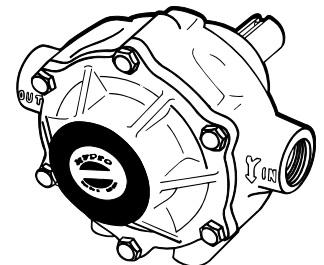
SERIES 6500
6-ROLLER PUMP

Max. Flow Rate:22 gpm
Max. Pressure:300 psi
Max. RPM:1200 rpm
Ports:3/4" NPT Inlet & Outlet
.....1" Hose Barb Included
Shaft:5/8" Dia. (Solid)
Continuous Operation.....100 psi
Intermittent Operation.....300 psi



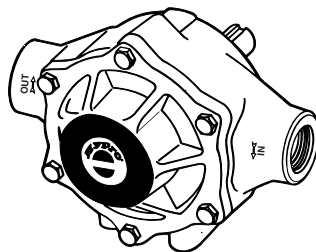
SERIES 7560
8-ROLLER PUMP

Max. Flow Rate:22 gpm
Max. Pressure:300 psi
Max. RPM:1000 rpm
Ports:3/4" NPT Inlet & Outlet
.....1" Hose Barb Included
Shaft:15/16" Dia. (Solid)
Continuous Operation.....100 psi
Intermittent Operation.....300 psi



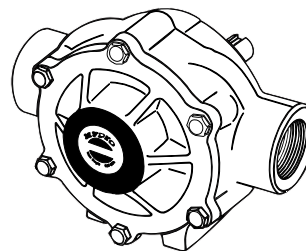
SERIES 7700
7-ROLLER PUMP

Max. Flow Rate:22.4 gpm
Max. Pressure:200 psi
Max. RPM:800 rpm
Ports:3/4" NPT Inlet & Outlet
.....1" Hose Barb Included
Shaft:15/16" Dia. (Solid)
Continuous Operation.....100 psi
Intermittent Operation.....200 psi



SERIES 1700
5-ROLLER PUMP

Max. Flow Rate:45 gpm
Max. Pressure:200 psi
Max. RPM:1000 rpm
Ports:1" NPT Inlet & Outlet
.....1-1/4" Hose Barb Included
Shaft:15/16" Dia. (Solid)
Continuous Operation.....100 psi
Intermittent Operation.....200 psi



SERIES 1500
6-ROLLER PUMP

Max. Flow Rate:62 gpm
Max. Pressure:150 psi
Max. RPM:1000 rpm
Ports:1-1/2" NPT Inlet & Outlet
Shaft:15/16" Dia. (Solid)
Continuous Operation.....100 psi
Intermittent Operation.....150 psi

General Safety Information

1. Use a pressure relief device on the discharge side of the pump to prevent damage from pressure buildup when the pump discharge is blocked or otherwise closed and the power source is still running.
2. **WARNING: Never pump flammable or explosive fluids such as gasoline, fuel oil, kerosene, etc. Never use in explosive atmospheres. The pump should be used only with liquids compatible with the pump component materials. Failure to follow this warning can result in personal injury and/or property damage and will void the product warranty.**
3. **Never pump acids (i.e. acid fertilizer) with Super Rollers!** When pumping acidic fertilizer, Hypro recommends only the Silver Series castings and Teflon rollers, or use one of Hypro's poly centrifugal pumps.
4. Never run the pump faster than maximum recommended speed.
5. Never pump at pressures higher than the maximum recommended pressure.
6. Never pump liquids at temperatures higher than the recommended maximum temperatures (140°F/60°C).
7. Make certain that the power source conforms to the requirements of your equipment.
8. Provide adequate protection in guarding around the moving parts such as the shaft and pulleys.
9. Disconnect power before servicing.
10. Release all pressure within the system before servicing any component.
11. Drain all liquids from the system before servicing any component.
12. Check all hoses for weak or worn condition before each use. Make certain that all connections are tight and secure.
13. Periodically inspect the pump and the system components. Perform routine maintenance as required (see Maintenance section).
14. Never operate a gasoline engine in an enclosed area. Be sure the area is well ventilated.
15. Use only pipe, hose and fittings rated for the maximum psi rating of the pump.
16. Never use these pumps for pumping water or other liquids for human or animal consumption.

Drive Source Installation

This manual will cover the installation of the basic drive configurations available for Hypro roller pumps. Consult the recommendations of the manufacturer of your motor or

engine for additional information. Read all safety information before attempting to install or operate the pump.

Tractor PTO Installation

The preferred method for mounting the torque arm (3430-0540) and pump to a tractor is with the chains going up to provide support for the pump (see Figure A). Attach the torque arm to the pump with the long side of the arm on the inlet side of the pump for this type of mounting. Many tractors do not have easy attachment points for securing the tension and torque chains. It may be necessary to drill holes in the tractor's master shield to attach the chains.

It is also acceptable to mount an angle iron on the master shield to attach the chains. The chains should be attached to the tractor as close to vertical as possible to avoid a bending force on the pump.

1. Mount the pump and torque arm to the PTO shaft using a Hypro series 1320, 1321 or 1323 coupler.
2. Attach the torque chain to the tractor frame with arm in horizontal position.
3. Attach the tensioning chain to the tractor frame while applying tension to the spring.

It is permissible to mount the torque arm with the chain in the down position. To do this, mount the arm to the pump in the reverse position. Do not use the tension spring or chain.

WARNING: Do not attach torque arm to movable linkages.



Figure A

Belt/Pulley Drive Installation

Belt and pulley drive systems are typically used to reduce pump speed. For determining proper pulley sizes, use the formula below as a guideline and use "A" or "B" section belts.

$$\frac{\text{MOTOR RPM}}{\text{PUMP RPM}} = \frac{\text{FLOW (@ RATED SPEED)}}{\text{FLOW (DESIRED)}} = \frac{\text{PUMP PULLEY DIA.}}{\text{MOTOR PULLEY DIA.}}$$

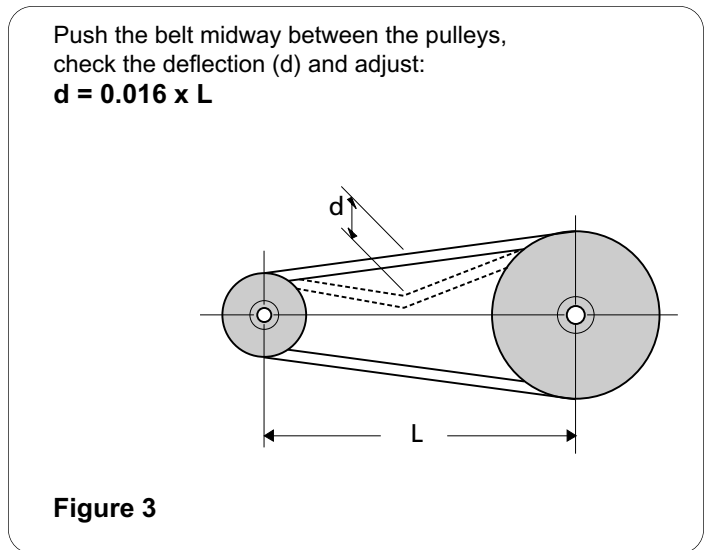
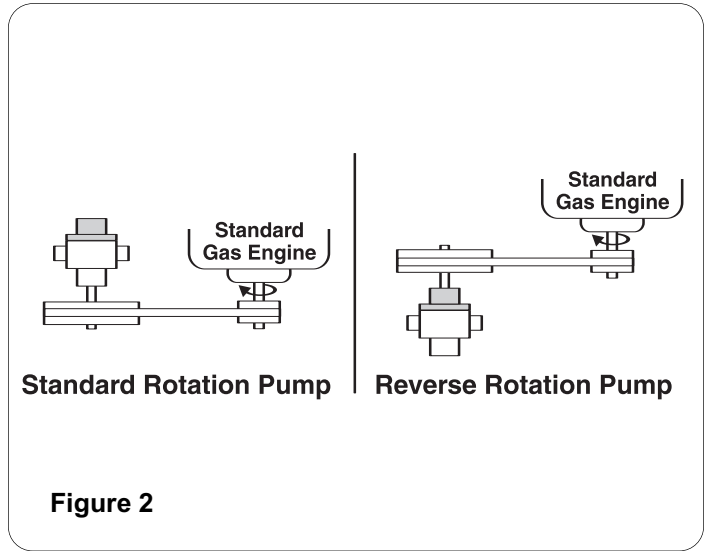
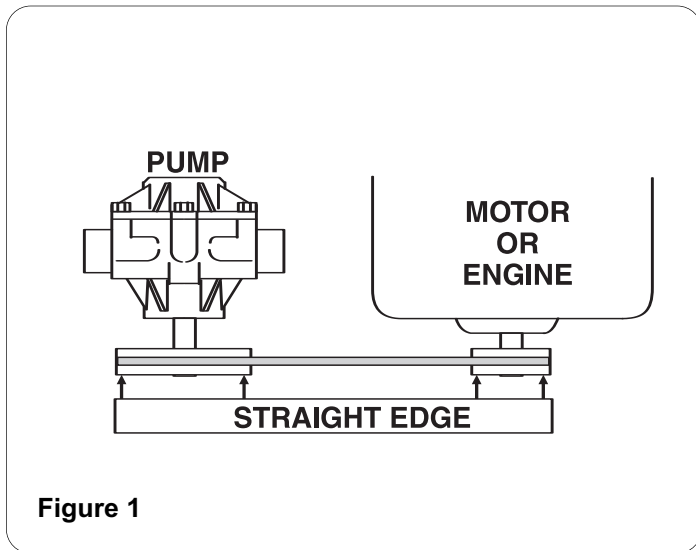
EXAMPLE: Use a 1725 RPM electric motor to drive a pump at 950 RPM.

Typically, a pulley diameter on the motor is 3.4 inches. The pump pulley diameter can be determined from the formula above:

$$\frac{1725}{950} = \frac{\text{PUMP PULLEY DIAMETER}}{3.4 \text{ INCHES}}$$

$$\frac{1725 \times 3.4 \text{ INCHES}}{950} = 6.2 \text{ INCHES}$$

1. Install pulley or bushing/sheave combination (See Figure 1) onto pump and motor shaft. Mount pump next to the motor making sure pulleys are lined up properly. (See Figure 2 for proper pump and motor orientation.) Use a straight edge as shown. Rotate to check for run-out and bent shafts.
2. Make sure belts have proper tension - belts too tight will cause bearing wear and belts too loose will cause slipping (See Figure 3).
3. The rotation on the 4000 series roller pump is gas engine rotation, opposite from the standard roller pump.



Direct Drive — Flexible Coupling

When direct driving Hypro roller pumps with flexible couplings, make sure that the speed (rpm) of the gas engine or electric motor is within the maximum rated rpm of your pump. Also make sure that shaft rotation is correct between the pump and the motor or gas engine (See Figure 4).

1. Mount motor or engine into position on base.
2. Line up pump shaft with straight edge as shown in Figure 4 to assure they are aligned. Shim pump, if necessary, to match shaft height of engine or motor. Shaft ends should not touch.
3. Mark exact position of pump on base - remove and install coupling halves on both shafts. Place coupling center disc into one of the coupling halves.

4. Reposition pump, sliding coupling halves together.

NOTE: No end thrust should be applied to pump when coupling is connected.

5. Tighten pump mounting; then tighten the set screws on each coupling.

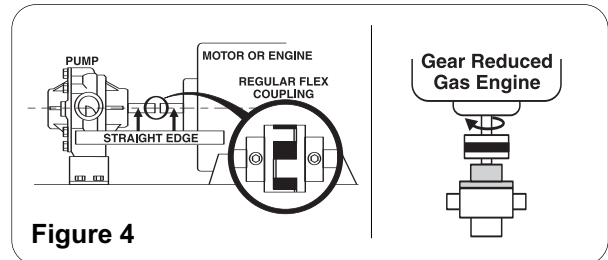


Figure 4

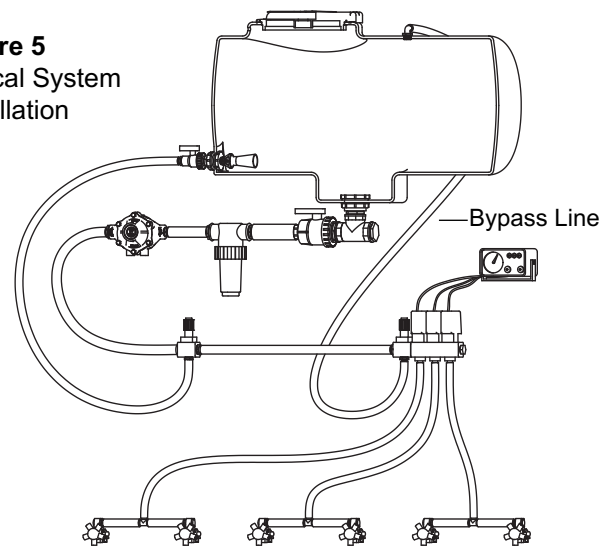
System Installation

NOTE: Use only pipe, fittings, accessories, hose, etc. rated for the maximum pressure rating of the pump.

1. Select adequate size drive unit to avoid overloading. Avoid unnecessary restrictions in the line such as elbows, check valves, and all extraneous curves and bends.
2. Avoid using looped sections of tubing or pipe which might permit air to become trapped.
3. Use pipe joint sealant on pipe threads to assure watertight connections.
4. Selection of the right type and size of hose is vital to good performance. Be sure to hook up the lines to the proper ports on the pump.
5. **Always use a good quality suction hose (one or two braid reinforced hose to prevent collapse) of at least the same diameter as the inlet port of the pump. If the suction (inlet) hose is more than four feet long, then use the next larger size.**

6. A strainer should be installed in the suction line. Clean the strainer as soon as it becomes clogged.
7. **Never attach an agitator or any restriction to a bypass line of a pressure relief device because system damage may occur.**

Figure 5
Typical System Installation



Operation and Maintenance

WARNING: Never pump corrosive or abrasive liquids as these will cause rapid wear or deterioration of body, rotor, shaft and seals in the pump. The pump should be used only with liquids compatible with pump component materials. Never exceed maximum specified rpm and pressure. Never run pump dry. Failure to follow this warning will void the product warranty.

Priming the Pump

To help prime the pump, keep the inlet or suction line as short as possible with a minimum of bends, elbows and kinks. Make sure all connections are tight and do not leak L-0100R (5/11, Rev. C)

air. Make sure line strainer is free of debris. If pump does not self-prime, disconnect suction hose, fill with water and reconnect to liquid source. Often a squirt of oil into the ports of the pump will seal clearances and help priming.

Care of the Pump

Hypro roller pumps are all carefully machined to close tolerance - high pressure operation depends on close-fitting parts. Proper care and maintenance will keep your pump wear at a minimum and will keep it running smoothly and trouble-free for a long time.

Flush the Pump After Each Use

One of the common causes of faulty pump performance is “gumming” or corrosion inside the pump. This prevents the rollers from moving freely in their rotor slots. Flush the pump with a solution that will neutralize liquid pumped, mixed according to manufacturer's directions.

To Prevent Corrosion

After cleaning pump as above, flush it with a 50-50 solution of permanent-type automobile antifreeze (containing a rust inhibitor) and water. A rust inhibitor can also be squirted into the ports of the pump. Turn shaft several times to draw protective liquid through pump and coat entire inner surface.

Drain pump and plug ports to keep out air during storage. For short periods of idleness, noncorrosive liquids may be left in the pump, but **air must be kept out**. Plug ports or seal port connections.

Rotation

Pump rotation must be the same as shown by the arrows on the pump. Facing the shaft end of the pump, the suction port is on your left and the shaft must turn counterclockwise. If reverse rotation is desired, rotor and shaft assembly must be reversed so that the shaft extends through the endplate. See Reversing Rotation Section below for proper procedure.

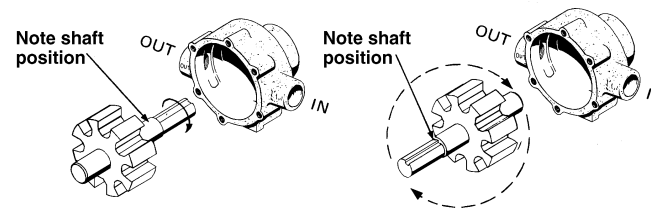
Note: Configuration is opposite for 4001 and 4101 series.

Reversing Rotation

1. Determine the rotor type of your pump by referring to exploded drawing on the parts list. The three types of rotors are NON-SCOOP, SCOOPED, and SLANTED SLOT.
2. Follow the steps listed in Repair Instructions for disassembly of the pump.
3. If your pump has a NON-SCOOP rotor (4001, 4101, 6500, 7560), it can be reversed merely by turning the rotor/shaft assembly around intact (without changing the position of the rotor on the shaft). Reassemble the pump with the driving end of shaft out the endplate side of the pump. (Standard pump rotors are driven from the body side.)
4. If your pump has a SCOOPED rotor (1200, 1500, 1700) or a SLANTED SLOT (7700) rotor, follow the following steps for reversing the shaft in the rotor.
 - a. Loosen and remove the rotor set screw.
 - b. Press the shaft out of the rotor.
 - c. Reassemble the shaft and rotor with the driving end of shaft on the opposite side of the rotor from standard assembly.
 - d. Before installing the rotor on the shaft, be sure it is positioned in the correct location on the shaft (diameter of shaft is slightly larger at rotor position). Center punch the shaft through rotor set screw hole. Then with a drill smaller than set screw - spot drill shaft so that set screw will hold securely. (Don't drill too deep - just enough so set screw will bite into shaft).
 - e. Reassemble the pump with driving end of shaft extending out of **endplate** side of pump. (The standard pump rotor is driven from the **body** side.) Remember, the rotor position remains the same - the shaft only is reversed - “end for end.”

Note: Configuration is opposite from above for 4001 and 4101 series.

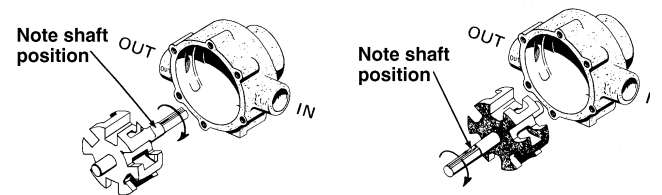
Standard NON-SCOOP Rotor



Standard **CCW** rotation to **CW** rotation

Figure 6

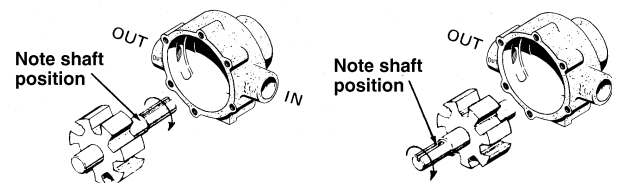
SCOOPED Rotor



Standard **CCW** rotation to **CW** rotation

Figure 7

SLANTED SLOT Rotor



Standard **CCW** rotation to **CW** rotation

Diagram of 7-roller rotor with special slanted, wide roller slots (Series



7700). Note that slots should slant back from rotation direction.

Figure 8

Repair Instructions

NOTE: Check our website for video repair instructions - www.hypropumps.com. Click on Tools.

To Take the Pump Apart

1. Remove the adapter from the pump shaft.
2. File off any burrs on the pump shaft.
3. Using a screwdriver, pry off the bearing cover on the endplate and pump body
4. Remove the endplate bolts.
5. Support the pump at its ports in an endplate support fixture with the endplate down. Use wood blocks for Series 1500, 1700 and 4001/4101. Place on press bed. Center press on pump shaft and apply pressure to press the pump apart (See Figure 9).



Figure 9



Figure 10

6. With the rollers exposed, remove them - examining each one carefully for excessive wear. When replacing damaged rollers, always replace the full set.
7. To remove the rotor with shaft from the endplate - support the endplate in an endplate support fixture with the rotor down. Center the bearing disassembly tool or 3/8" bolt, on pump shaft. Apply pressure to press shaft out of ball bearing (See Figure 10).
8. To remove the ball bearing - place the endplate in an endplate support fixture with the front of the endplate down (See Figure 11). Center bearing support tool and slowly press bearing out of casting. Repeat procedure to remove bearing from pump body (See Figure 12) using body support fixture.
9. After removing the ball bearing, check the seals in both endplate and pump body. If wear is evident or leakage has been noticed, punch the seals out with a screwdriver and hammer. Seals cannot be removed without damaging them.
10. To press the shaft out of the rotor, first carefully wash the rotor and shaft with kerosene - removing all traces of rust and other foreign matter. Use steel wool or emery cloth, rinsing parts afterward to wash off all emery dust. Remove the allen set screw. Support the rotor in the press through the slot in the base and press shaft through.



Figure 11



Figure 12

While the Pump is Apart

Carefully inspect all parts for wear, such as:

- Undersize or swollen rollers in both length and diameter.
- Worn seals.
- Worn shaft at drive end, and pitted or grooved at the seal area.
- Rough bearings and loss of grease from the bearings.
- Undersize rotor and/or worn roller slots.
- Excessive wear in body - both on inside diameter and at back face.
- Body cracks at the bolt holes and at the o-ring sealing area.
- End wear (body, endplate and rotor).
- Proper size o-ring in the endplate.

After the above parts have been checked and the various points have been considered, you can decide if the pump is repairable. When worn parts have been replaced, always take up the end clearance by lightly sanding the endplate and matching body surface (See Figure 13). **NOTE: End clearance should not be more than .004 inches.**

Inspect Inside of Endplate

If a groove is noticeable, the endplate should be resurfaced by rubbing it on a sheet of 80 grit emery paper (placed on flat surface) until all trace of wear has been removed. Rotate the endplate frequently to remove evenly the same amount of metal over the entire surface. **NOTE: This surface of the endplate must be perfectly flat. If attempt has been made to pry pump apart with a screwdriver, file off all nicks, burrs and other damage marks around the bolt holes.**

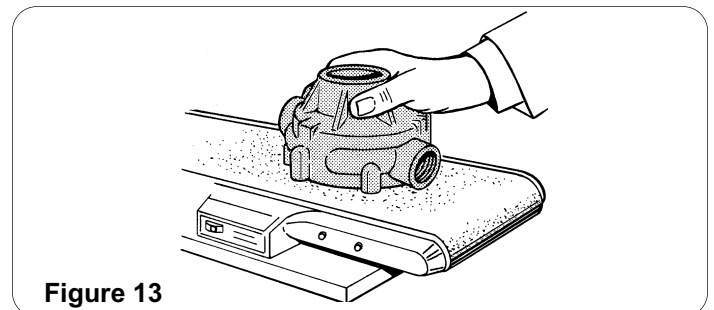


Figure 13

Re-Assembly

Replace Seals and Bearings

Carefully place the seal in the pump body with crimped side down. Press the seal to the bottom of the cavity, using the stepped end of the bearing & seal assembly tool (Figure 14). Then put the bearing in position in the pump body and press into place with counter-bored end of bearing & seal assembly tool (Figure 15). Repeat the above procedure with the endplate. Seat the o-ring in the groove. If necessary, make sure the o-ring stays in place by stretching it.



Figure 14

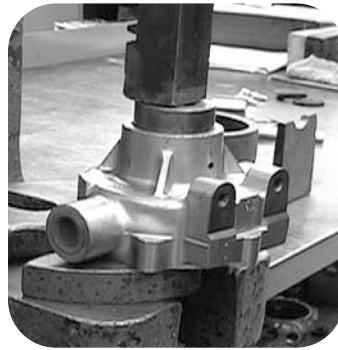


Figure 15

Assemble Rotor and Shaft To Endplate

1. Install the shaft rotor assembly by carefully pushing the short end of the shaft rotor assembly through the shaft seal into the endplate. Place in the arbor press with the drive end of the shaft pointed down. Use the bearing support tool on top of the bearing and press the assembly together (Figure 16). Leave just enough clearance between the rotor and endplate so that rotor can be turned by hand. If it turns too freely, sand a little more off the body end that faces the endplate. You should notice a slight drag, but be able to turn shaft with an adapter on it, by hand. The "slight drag" will wear off after the pump has been used a short time. Installing new rollers, seals, bearings and shafts will not prove entirely satisfactory for volume and pressure unless end clearance is taken up.



Figure 16



Figure 17

NOTE: If the endplate has been resurfaced, the body face must also be resurfaced to allow for material taken off the endplate. Follow same procedure as above with emery cloth. Before new parts are installed, all burrs should be removed - particularly in the rotor slots and body.

Do not machine clean the body casting. A more satisfactory job can be done by hand cleaning with an emery cloth. Wettable talc powder mixture (5 lbs. powder to 5 gallons water) can be used for breaking in a repaired pump if pump appears to be binding. Run pump for about 5 minutes. This will also serve to clean and remove corrosion from the pump. Follow with a clear rinse and protect from rust. (See Maintenance.)

2. Remove the assembled portion from the arbor press and invert it on the press table with the bearing support tool under the bearing. Then place rollers in the roller slots as close to center of rotor as possible. Place the pump body over rotor and shaft, and carefully ease the end of the shaft past the lips of the seal in pump body (Figure 17). Center bearing support tool with counter-bored end down on inner race of ball bearing, and slowly press the pump body down to fit the endplate (Figure 18).
3. Turn pump over; line up bolt holes and replace assembly bolts. Alternately and evenly tighten the bolts as shown (Figure 19). **NOTE:** After bolts have been tightened, check to see if rotor is centered in pump case. Try to turn the pump shaft, using a crescent wrench on the shaft as a lever.



Figure 18



Figure 19

Center Rotor in Pump Case

If pump turns hard:

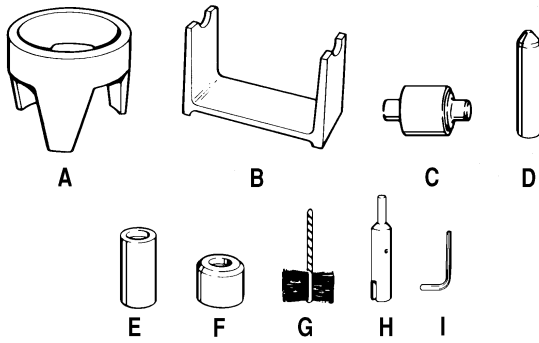
1. Place short brass rod (or hardwood dowel) against end of shaft (Figure 20). Center rod on shaft (not on bearing). Tap lightly with hammer. Try turning shaft again.



Figure 20

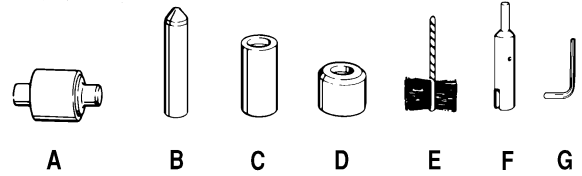
2. If this fails to center the rotor to where it can be turned freely - tap other end of shaft, protecting it as above. When the shaft can be turned by hand - using wrench as above - it is not binding.
3. If the pump binds within and tapping does not free it, it may be necessary to "run the pump in" to wear off high spots. Use talc solution mentioned earlier. Check pump frequently during run-in.

Repair Tool Kits



Tool Kit No. 3011-0006 for Series 6500

Consists of: (A = 3010-0001) Endplate Support Fixture, (B = 3010-0002) Body Support Fixture, (C = 3010-0003) Bearing & Seal Assembly Tool, (D = 3010-0004) Bearing Disassembly Tool, (E = 3010-0010) Bearing Support Tool, (F = 3010-0014) Bearing Race Support Tool, (G = 3010-0066) Wire Brush, (H = 3010-0067) Brush Holder, (I = 3020-0009) 1/16" Allen Wrench, and Tool Box (3010-0168).



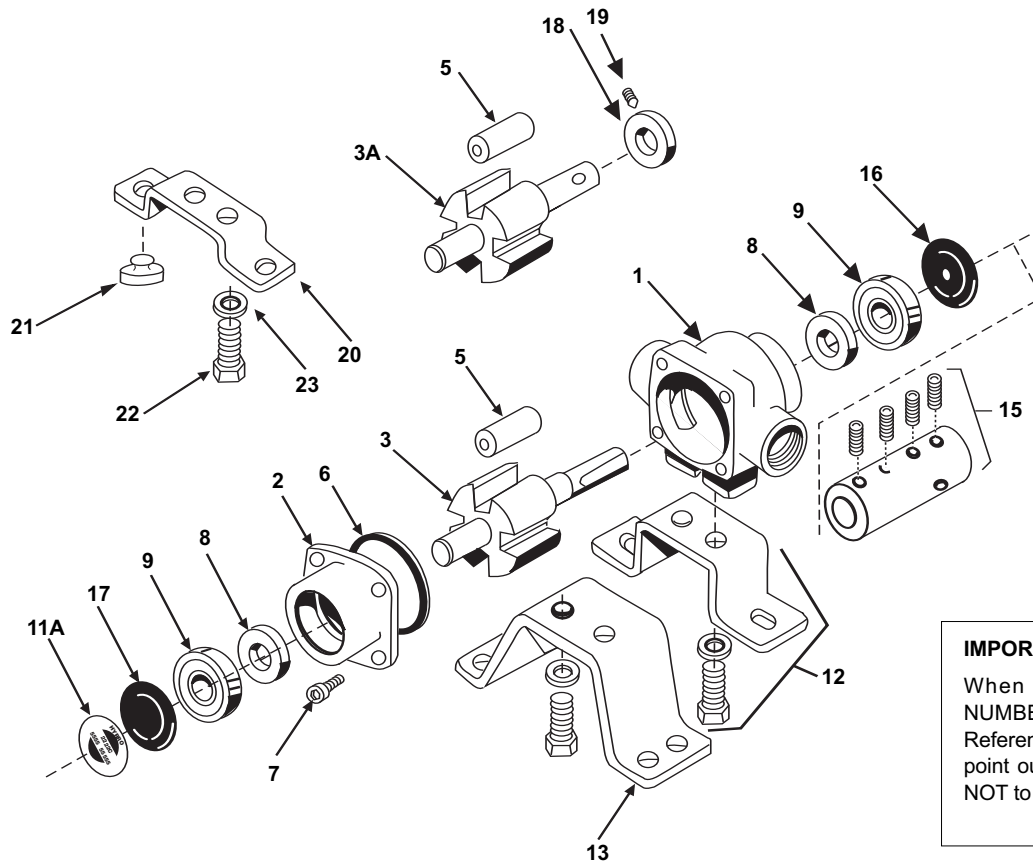
Tool Kit No. 3011-0021 for Series 4001/4101

Consists of: (A = 3010-0003) Bearing & Seal Assembly Tool, (B = 3010-0004) Bearing Disassembly Tool, (C = 3010-0010) Bearing Support Tool, (D = 3010-0014) Bearing Race Support Tool, (E = 3010-0066) Wire Brush, (F = 3010-0067) Brush Holder, (G = 3020-0009) 1/16" Allen Wrench, and Tool Box (3010-0168).

Troubleshooting

Symptom	Probable Cause(s)	Corrective Action
Pump does not prime.	Leak in suction line.	Check hose and fittings for leaks, and correct.
	Obstruction in suction line.	Inspect hose for obstruction such as debris or loose inner liner.
	Suction hose sucked to bottom or side of tank.	Cut a notch or "V" in end of suction hose.
	Rollers stuck in pump.	Disassemble pump and inspect rollers.
	Pump seals leaking air.	Replace seals.
Loss of pressure.	Pump turning in wrong direction.	Correct rotation of pump (See Reversing Pump).
	Clogged suction strainer.	Check strainer and clean it regularly.
	Kinked or blocked suction hose.	Inspect suction hose and repair as necessary.
	Air leak in inlet side plumbing.	Check hose and connections for leaks. Use pipe joint sealant and retighten connections.
	Relief valve setting too low or weakened spring.	Check relief valve and correct setting.
	Faulty gauge.	Replace gauge.
	Pump seals leak air.	Replace seals.
	Nozzle orifices worn.	Replace nozzles.
Pump worn.	Repair pump (See Repair Instructions).	
Pump will not turn.	Corrosion (rust), scale or residue.	Loosen endplate bolts. Squirt oil into ports to help free rotor. Retighten bolts.
	Solid object lodged in pump.	Disassemble pump and remove objects.

Series 4000



IMPORTANT:
 When ordering parts, give PART NUMBER and PART DESCRIPTION. Reference Numbers are used ONLY to point out parts in the drawing and are NOT to be used as ordering numbers.

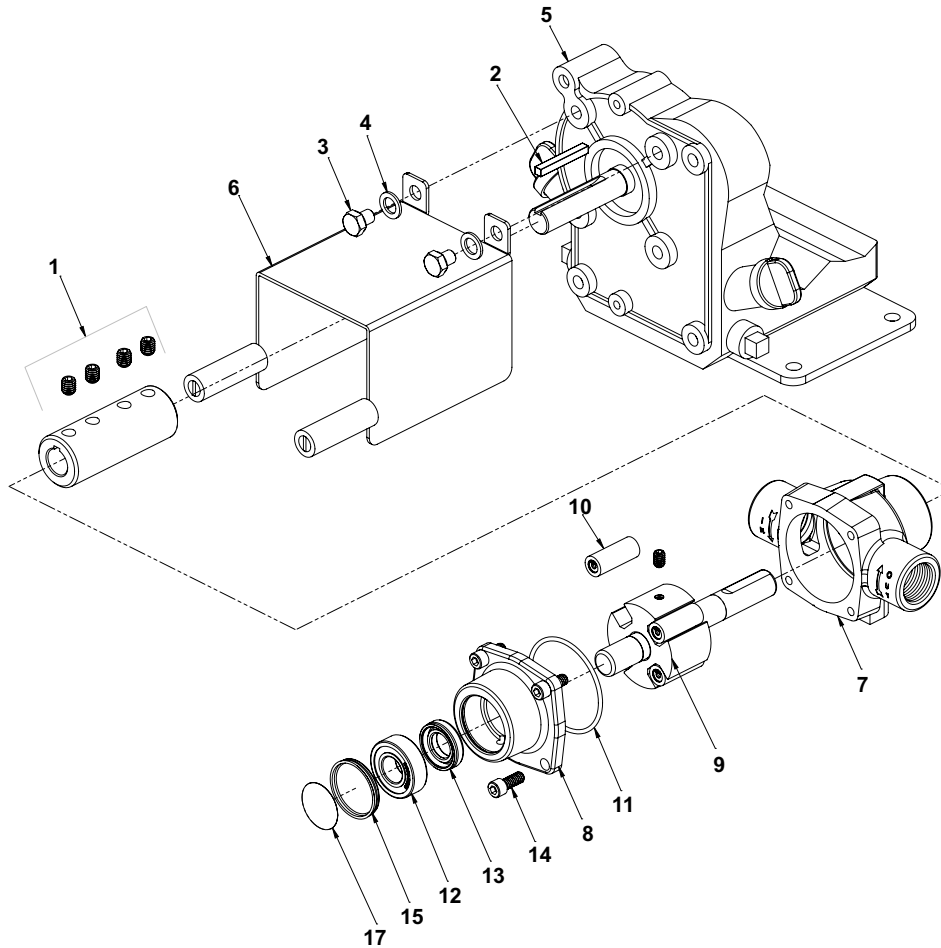
Ref. No.	Qty. Req'd.	Part Number	Description
1	1	0100-4001C	Body (Cast Iron) with Std. Seal (4001)
1	1	0100-4101C	Body (Cast Iron) with Std. Seal (4101)
1	1	0100-4001N	Body (Ni-Resist) with Std. Seal (4001)
1	1	0100-4101N	Body (Ni-Resist) with Std. Seal (4101)
1	1	0100-4001X	Body (SilverCast) with Std. Seal (4001)
1	1	0100-4101X	Body (SilverCast) with Std. Seal (4101)
2	1	0200-4001C	Endplate (Cast Iron) with Std. Seal (4001)
2	1	0200-4101C	Endplate (Cast Iron) with Std. Seal (4101)
2	1	0200-4001N	Endplate (Ni-Resist) with Std. Seal (4001)
2	1	0200-4101N	Endplate (Ni-Resist) with Std. Seal (4101)
2	1	0200-4001X	Endplate (SilverCast) with Std. Seal (4001)
2	1	0200-4101X	Endplate (SilverCast) with Std. Seal (4101)
3	1	0300-4001C	Rotor (Cast Iron) & Shaft Assembly (4001)
3	1	0300-4101C	Rotor (Cast Iron) & Shaft Assembly (4101)
3	1	3430-0765	Rotor Assembly (Std. 4001 Ni-Resist & XL)
3	1	3430-0766	Rotor Assembly (Std. 4101 Ni-Resist & XL)
3A	1	3430-0780	Rotor Assembly (Std. 4001 Ni-Resist & XL)
3A	1	3430-0781	Rotor Assembly (Std. 4101 Ni-Resist & XL)
5	4	1005-0002	Super Rollers (Std.)
5	4	1002-0002	Polypropylene Rollers (Optional)
5	4	1055-0002	Teflon Rollers (Optional)
6	1	1720-0104	O-Ring Gasket for Endplate
7	4	2220-0018	Endplate Screw
8	2	2107-0002	Viton Seal (Std.)
8	2	2102-0001	Buna-N Seal (Optional)
8	2	2102-0001T	Teflon Coated Buna-N Seal (Optional)

Ref. No.	Qty. Req'd.	Part Number	Description
9	2	2000-0010	Ball Bearing (High temp. grease)
11A	1		Name Plate (Specify pump model #)
12	1	3420-0024	Base Kit — Sold Separately Includes: 1 Base, 2 Bolts, and 2 Lock washers for mounting pump to electric motors with 3-1/2" shaft centerline
13	1	3420-0025	Base Kit — Sold Separately Includes: 1 Base, 2 Bolts, and 2 Lock washers for mounting pump to electric motors/gas engines with 4-3/16" shaft centerlines
15	1 kit	1320-0016	Adapter with 4 set screws for gas engine mount (5/8" x 5/8") — Sold Separately
15	1 kit	1320-0015	Adapter (5/8" x 3/4") — Sold Separately
16	1	2300-0023	Shaft Bearing Cover
17	1	2300-0021	Bearing Cover
18	1	1420-0001	Locking Collar
19	1	2230-0001	Set Screw
20	1	1510-0054	Base — Sold Separately
21	2	1450-0003	Bumper — Sold Separately
22	2	2210-0003	Bolt — Sold Separately
23	2	2260-0002	Lock Washer — Sold Separately

Repair Parts Kit No. 3430-0390 Consists of: (4) Ref. 5 Super Rollers, (1) Ref. 6 O-Ring Gasket, (2) Ref. 8 Viton Seals.

Repair Parts Kit No. 3430-0158 Consists of: (4) Ref. 5 Polypropylene Rollers, (1) Ref. 6 O-Ring Gasket, (2) Ref. 8 Viton Seals.

Models 4101C-25 and 4101XL-25

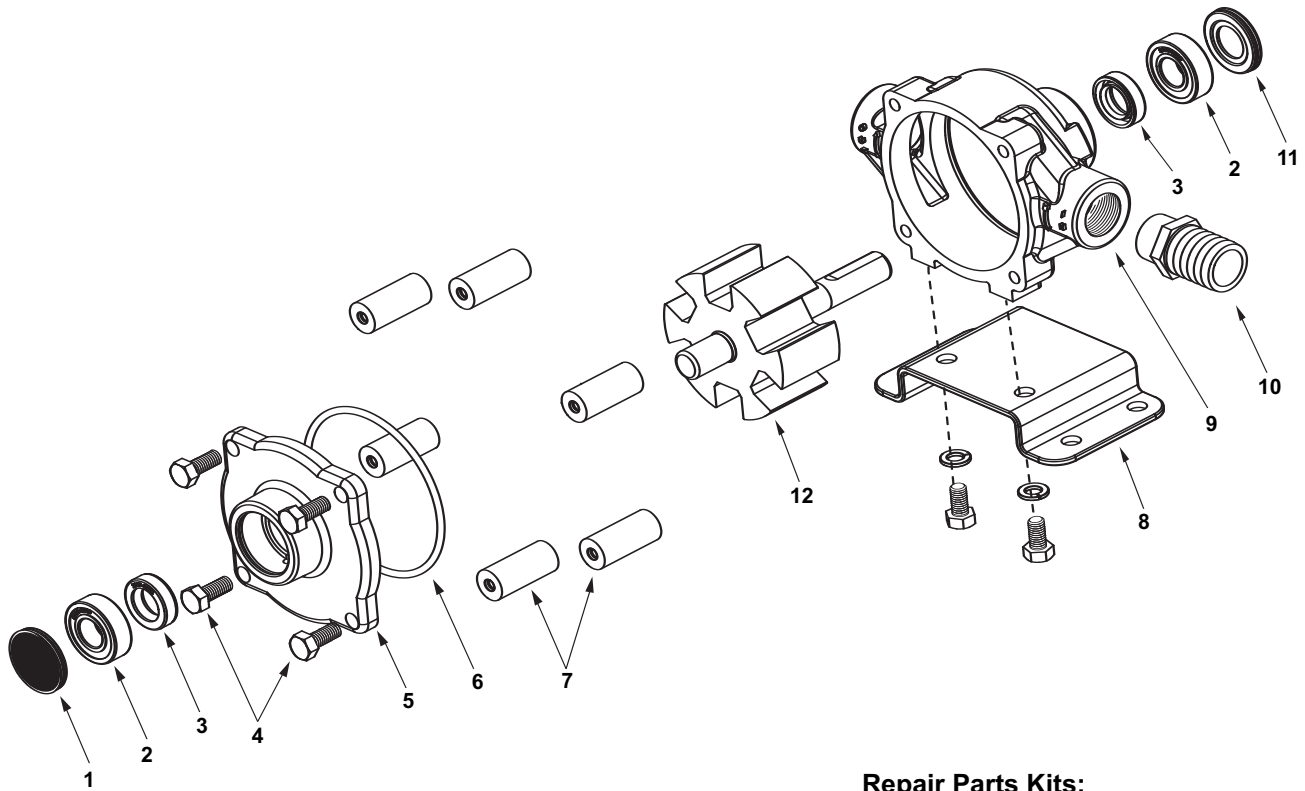


Ref. No.	Qty. Req'd.	Part Number	Description
1	1	1320-0016	Adapter and Kit
2	1	19209	Key 3/16 x 1-1/2"
3	2	2210-0166	Hed Head Capscrew
4	2	2270-0041	Washer
5	1	2549-0043	Engine: 2.5 HP PowerPro
6	1	2840-0084	Shield
7	1	0100-4101C	Body (Cast Iron)
7	1	0100-4101X	Body (SilverCast)
8	1	0200-4101C	Endplate (Cast Iron)
8	1	0200-4101X	Endplate (SilverCast)
9	1	0300-4101C	Rotor & Shaft Assembly (Cast Iron)
9	1	3430-0766	Rotor Assembly (SilverCast)
10	4	1005-0002	Super Rollers
11	1	1720-0104	O-ring Gasket for Endplate
12	2	2000-0010	Ball Bearing
13	2	2107-0002	Viton Seal
14	4	2220-0018	Socket Head Screw
15	1	2300-0021	Bearing Cover
16	1	2300-0023	Bearing Cover w/Hole
17	1	6031-0299	Decal

IMPORTANT:

When ordering parts, give PART NUMBER and PART DESCRIPTION. Reference Numbers are used ONLY to point out parts in the drawing and are NOT to be used as ordering numbers.

Repair Parts Kit No. 3430-0390 Consists of: (4) Ref. 10 Super Rollers, (1) Ref. 11 O-Ring Gasket, (2) Ref. 13 Viton Seals.



IMPORTANT:

When ordering parts, give PART NUMBER and PART DESCRIPTION. Reference Numbers are used ONLY to point out parts in the drawing and are NOT to be used as ordering numbers.

Repair Parts Kits:

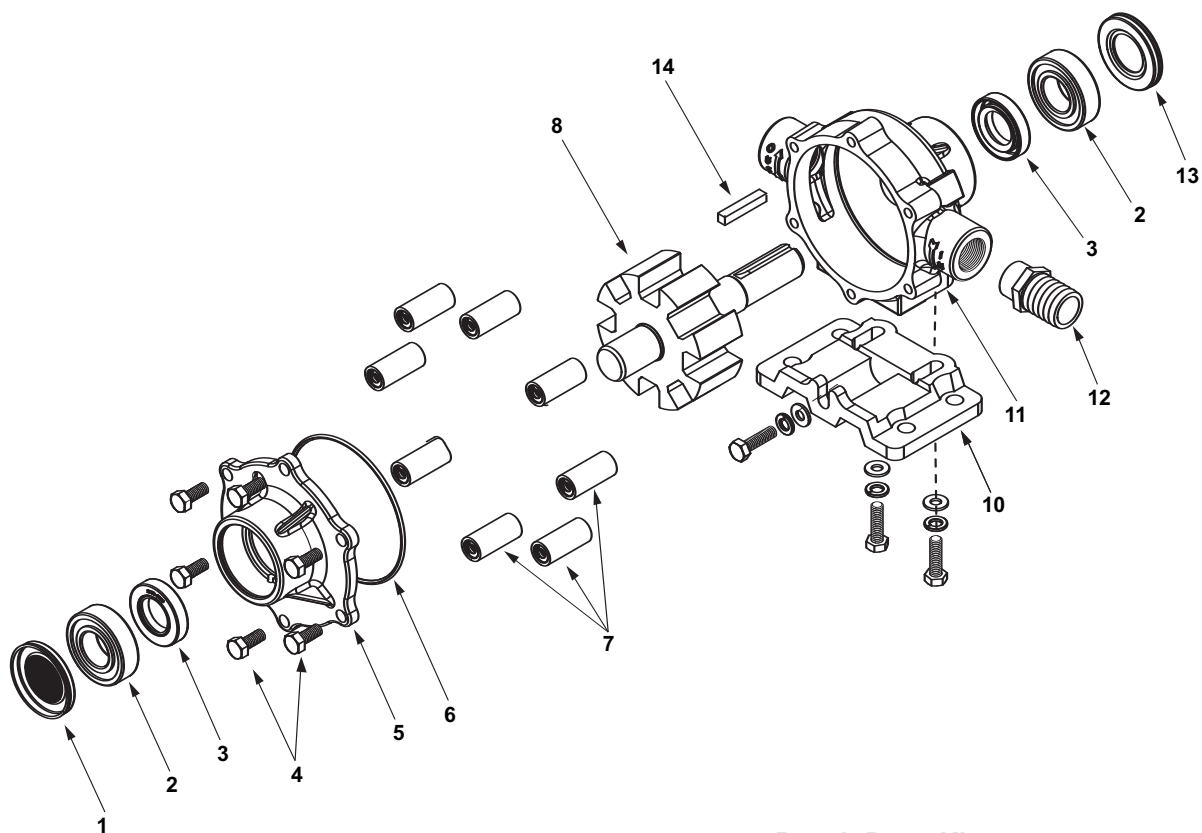
No. 3430-0380 Consists of (6) Ref. 7 Super Rollers, (1) Ref. 6 O-ring, and (2) Ref. 3 Viton seals.

No. 3430-0175 Consists of (6) Ref. 7 Polypropylene Rollers, (1) Ref. 6 O-ring, and (2) Ref. 3 Viton seals.

Ref. No.	Qty. Req'd.	Part Number	Description
1	1	2300-0021	Bearing Cover
2	2	2000-0010	Sealed Ball Bearing
3	2	2107-0002	Viton Seal (Standard)
3	2	2102-0001	Buna-N Seal (Optional)
3	2	2102-0001T	Teflon-coated Buna-N Seal (Optional)
4	4	2210-0004	Bolts
5	1	0200-6600C	Endplate (Cast Iron) with Seal
5	1	0200-6600N	Endplate (Ni-Resist) with Seal
5	1	0200-6600X	Endplate (SilverCast) with Seal
6	1	1720-0008	O-ring Gasket for Endplate
7	6	1005-0004	Super Roller (Standard)
7	6	1002-0004	Polypropylene Roller (Optional)
7	6	1055-0004	Teflon Roller (Optional)

Ref. No.	Qty. Req'd.	Part Number	Description
8	1 kit	3420-0023	Base Kit - Sold Separately Includes: (1) Base, (2) Bolts and (2) Washers
9	1	0100-6600C	Body (Cast Iron) with Seal
9	1	0100-6600N	Body (Ni-Resist) with Seal
9	1	0100-6600X	Body (SilverCast) with Seal
10	1	2404-0052	1" Hose Barb
11	1	2300-0023	Shaft Bearing Cover
12	1	0300-6600C	Rotor Assembly (Cast Iron)
12	1	3430-0767	Rotor Assembly (Std. Ni-Resist & XL)

Series 7560



IMPORTANT:

When ordering parts, give PART NUMBER and PART DESCRIPTION. Reference Numbers are used ONLY to point out parts in the drawing and are NOT to be used as ordering numbers.

Repair Parts Kits:

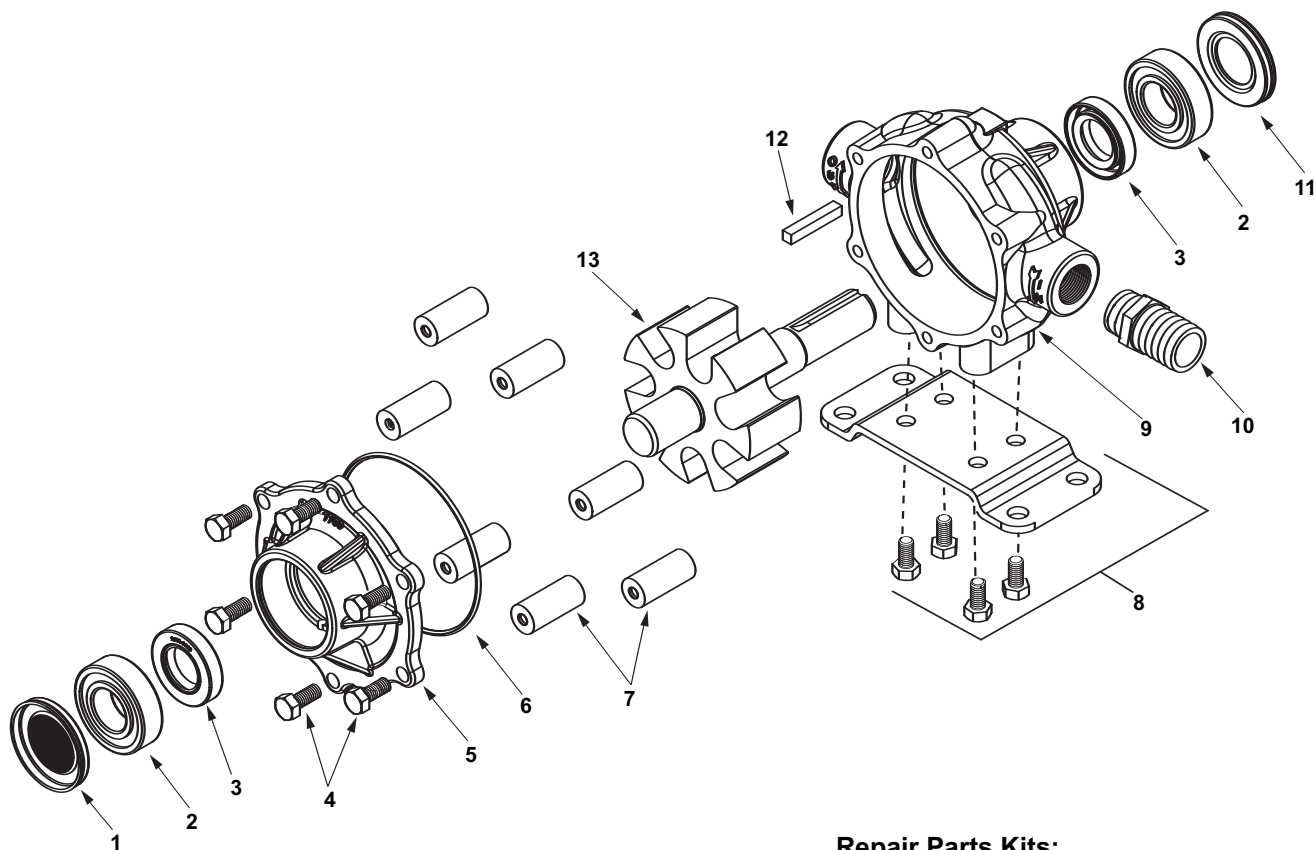
No. 3430-0381 Consists of (8) Ref. 7 Super Rollers, (1) Ref. 6 O-ring, and (2) Ref. 3 Viton seals

No. 3430-0167 Consists of (8) Ref. 7 Polypropylene Rollers, (1) Ref. 6 O-ring, and (2) Ref. 3 Viton seals

Ref. No.	Qty. Req'd.	Part Number	Description
1	1	2300-0020	Bearing Cover
2	2	2008-0001	Sealed Ball Bearing
3	2	2112-0003	Viton Seal (Standard)
3	2	2112-0001	Buna-N Seal (Optional)
4	6	2210-0004	Bolts
5	1	0204-7500C	Endplate (Cast Iron) with Seal
5	1	0204-7500N	Endplate (Ni-Resist) with Seal
5	1	0204-7500X	Endplate (SilverCast) with Seal
6	1	1720-0014	O-ring Gasket for Endplate
7	8	1005-0004	Super Roller (Standard)
7	8	1002-0004	Polypropylene Roller (Optional)
7	8	1055-0004	Teflon Roller (Optional)

Ref. No.	Qty. Req'd.	Part Number	Description
8	1	3430-0745	Rotor Assembly (Std. Ni-Resist & XL)
8	1	0308-7560C	Rotor Assembly (Cast Iron only)
10	1 kit	3420-0003	Base Kit - Sold Separately Includes: (1) Base, (3) Bolts and (3) Washers
11	1	0104-7500C	Body (Cast Iron) with Seal
11	1	0104-7500N	Body (Ni-Resist) with Seal
11	1	0104-7500X	Body (SilverCast) with Seal
12	1	2404-0052	1" Hose Barb
13	1	2300-0022	Shaft Bearing Cover
14	1	1610-0005	Key
	1	1610-0059	Key (Stainless Steel)

Series 7700



IMPORTANT:

When ordering parts, give PART NUMBER and PART DESCRIPTION. Reference Numbers are used ONLY to point out parts in the drawing and are NOT to be used as ordering numbers.

Repair Parts Kits:

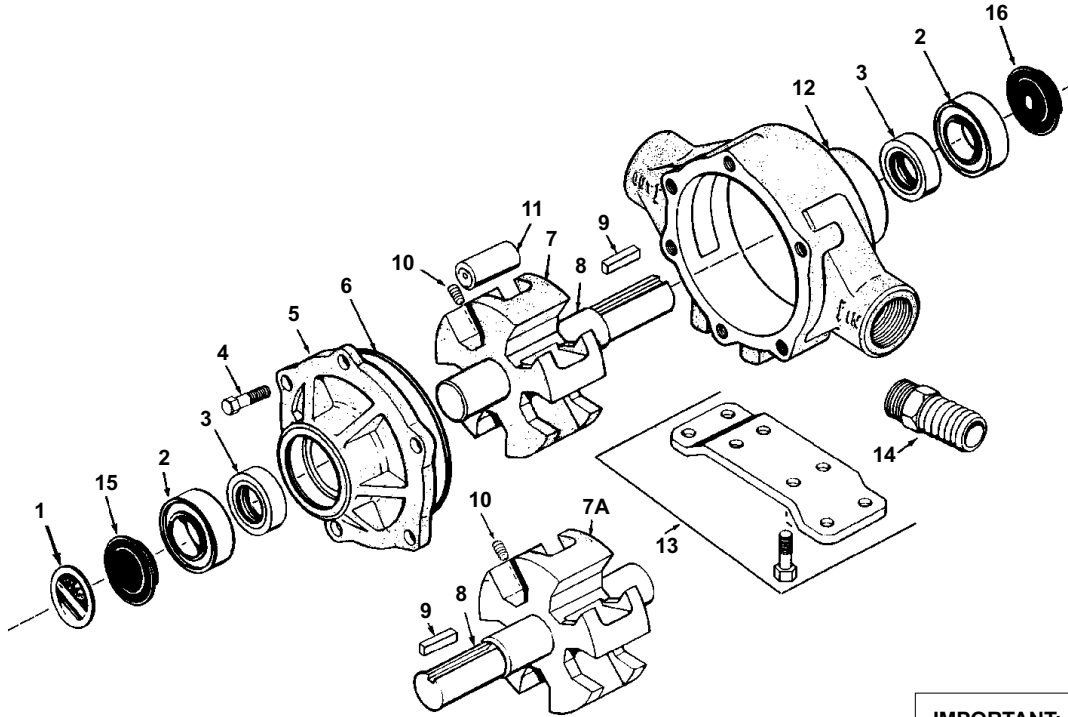
No. 3430-0384 Consists of (8) Ref. 7 Super Rollers, (1) Ref. 6 O-ring, and (2) Ref. 3 Viton seals

No. 3430-0167 Consists of (8) Ref. 7 Polypropylene Rollers, (1) Ref. 6 O-ring, and (2) Ref. 3 Viton seals

Ref. No.	Qty. Req'd.	Part Number	Description
1	1	2300-0020	Bearing Cover
2	2	2008-0001	Sealed Ball Bearing
3	2	2112-0003	Viton Seal (Standard)
3	2	2112-0001	Buna-N Seal (Optional)
4	6	2210-0004	Bolts
5	1	0200-7700C	Endplate (Cast Iron) with Seal
5	1	0200-7700N	Endplate (Ni-Resist) with Seal
5	1	0200-7700X	Endplate (SilverCast) with Seal
6	1	1720-0014	O-ring Gasket for Endplate
7	8	1005-0004	Super Roller (Standard)
7	8	1002-0004	Polypropylene Roller (Optional)
7	8	1055-0004	Teflon Roller (Optional)
8	1 kit	3420-0010	Base Kit - Sold Separately Includes: (1) Base and (4) Bolts

Ref. No.	Qty. Req'd.	Part Number	Description
9	1	0100-7700C	Body (Cast Iron) with Seal
9	1	0100-7700N	Body (Ni-Resist) with Seal
9	1	0100-7700X	Body (SilverCast) with Seal
10	1	2404-0052	1" Hose Barb
11	1	2300-0022	Shaft Bearing Cover
12	1	1610-0005	Key
13	1	0300-7700C	Rotor Assembly (Cast Iron)
13	1	0300-7700N	Rotor Assembly (Ni-Resist)
13	1	0300-7700X	Rotor Assembly (SilverCast)
13	1	0301-7700C	Rotor Assembly (Cast Iron) Rev. Rot.
13	1	0301-7700N	Rotor Assembly (Ni-Resist) Rev. Rot.
13	1	0301-7700X	Rotor Assembly (SilverCast) Rev.Rot.

Models 1700C, 1700N, and 1700XL



IMPORTANT:

When ordering parts, give PART NUMBER and PART DESCRIPTION. Reference Numbers are used ONLY to point out parts in the drawing and are NOT to be used as ordering numbers.

Ref. No.	Qty. Req'd.	Part Number	Description
1	1	6031-0258	Name Plate (Specify Pump Model #)
2	2	2008-0001	Sealed Ball Bearing
3	2	2112-0003	Viton Seal (Standard)
3	2	2112-0001	Buna-N Seal (Optional)
4	6	2210-0005	Bolt
5	1	0200-1700C	Endplate (Cast Iron) with Seal
5	1	0200-1700N	Endplate (Ni-Resist) with Seal
5	1	0200-1700X	Endplate (SilverCast) with Seal
6	1	1720-0099	O-ring Gasket for Endplate
7	1	0300-1700C	Rotor (Cast Iron) with shaft (Std. Rotation)
7	1	0300-1700N	Rotor (Ni-Resist) with shaft (Std. Rotation)
7	1	0300-1700X	Rotor (SilverCast) with shaft (Std. Rotation)
7A	1	0301-1700C	Rotor (Cast Iron) w/shaft (Reverse Rot.)
7A	1	0301-1700N	Rotor (Ni-Resist) w/shaft (Reverse Rot.)
7A	1	0301-1700X	Rotor (SilverCast) w/shaft (Reverse Rot.)

Ref. No.	Qty. Req'd.	Part Number	Description
8	1	0500-1502	Shaft Only
9	1	1610-0005	Key
10	1	2230-0018	Set Screw
10	1	2230-0034	Set Screw (SilverCast Only)
11	5	1005-0005	Super Roller (Standard)
11	5	1002-0005	Polypropylene Roller (Optional)
11	5	1055-0005	Teflon Roller (Optional)
12	1	0100-1700C	Body (Cast Iron) with Seal
12	1	0100-1700N	Body (Ni-Resist) with Seal
12	1	0100-1700X	Body (SilverCast) with Seal
13	1 kit	3420-0010	Base Kit — Sold Separately Includes: (1) Base and (4) Bolts
14	1	2404-0191	1-1/4" Hose Barb
15	1	2300-0020	Bearing Cover
16	1	2300-0022	Shaft Bearing Cover

See Page 17 for the proper coupler or adapter.

Repair Parts Kit No. 3430-0437 Consists of: (5) Ref. 11 Super Rollers, (1) Ref. 6 O-Ring Gasket, and (2) Ref. 3 Viton Seals.

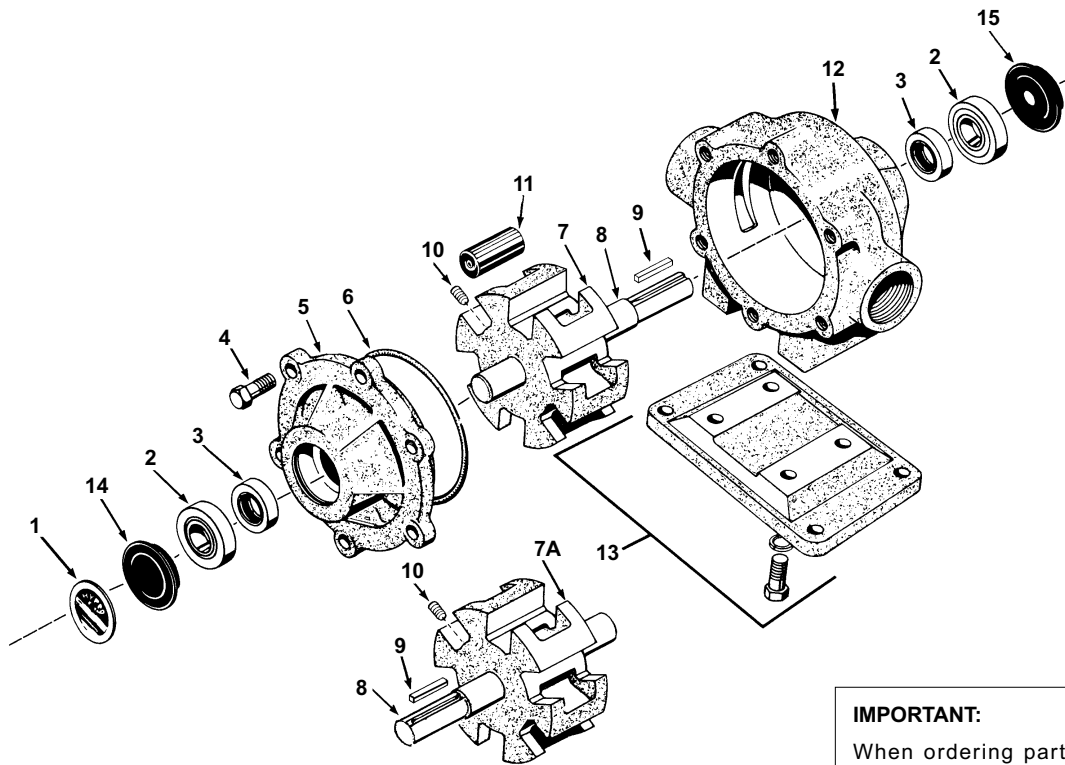
Repair Parts Kit No. 3430-0383 (Universal) Consists of: (6) Ref. 11 Super Rollers, (2) Ref. 6 O-Ring Gaskets, and (2) Ref. 3 Viton Seals.

Repair Parts Kit No. 3430-0160 Consists of: (5) Ref. 11 Polypropylene Rollers and (1) Ref. 6 O-Ring Gasket, and (2) Ref. 3 Buna-N Seals.

Repair Parts Kit No. 3430-0161 Consists of: (5) Ref. 11 Polypropylene Rollers and (1) Ref. 6 O-Ring Gasket, and (2) Ref. 3 Viton Seals.

Repair Parts Kit No. 3430-0407 Consists of: (5) Ref. 11 Super Rollers, (1) Ref. 6 O-Ring Gasket, (2) Ref. 3 Viton Seals and (2) Ref. 2 Sealed Ball Bearings.

Models 1500C, 1500N, and 1500XL



IMPORTANT:

When ordering parts, give PART NUMBER and PART DESCRIPTION. Reference Numbers are used ONLY to point out parts in the drawing and are NOT to be used as ordering numbers.

Ref. No.	Qty. Req'd.	Part Number	Description
1	1	6031-0258	Name Plate (Specify Pump Model #)
2	2	2008-0001	Sealed Ball Bearing
3	2	2112-0001	Buna-N Seal (Standard)
3	2	2112-0003	Viton Seal (Optional) (Std. for SilverCast)
4	6	2210-0026	Bolt
5	1	0200-1500C	Endplate (Cast Iron) with Seal
5	1	0200-1500N	Endplate (Ni-Resist) with Seal
5	1	0200-1500X	Endplate (SilverCast) with Seal
6	1	1720-0003	O-ring Gasket for Endplate
7	1	0300-1502C	Rotor (Cast Iron) with shaft (Std. Rotation)
7	1	0300-1502N	Rotor (Ni-Resist) with shaft (Std. Rotation)
7	1	0300-1502X	Rotor (SilverCast) with shaft (Std. Rotation)
7A	1	0301-1502C	Rotor (Cast Iron) w/shaft (Reverse Rot.)
7A	1	0301-1502N	Rotor (Ni-Resist) w/shaft (Reverse Rot.)
7A	1	0301-1502X	Rotor (SilverCast) w/shaft (Reverse Rot.)
8	1	0500-1502	Shaft Only

Ref. No.	Qty. Req'd.	Part Number	Description
9	1	1610-0005	Key
10	1	2230-0018	Set Screw
10	1	2230-0034	Set Screw (SilverCast Only)
11	6	1005-0005	Super Roller (Standard)
11	6	1002-0005	Polypropylene Roller (Optional)
11	6	1055-0005	Teflon Roller (Optional)
12	1	0100-1500C	Body (Cast Iron) with Seal
12	1	0100-1500N	Body (Ni-Resist) with Seal
12	1	0100-1500X	Body (SilverCast) with Seal
13	1 kit	3420-0004	Base Kit — Sold Separately Includes: (1) Base, (4) Bolts and (4) Lockwashers
14	1	2300-0020	Bearing Cover
15	1	2300-0022	Shaft Bearing Cover

See Page 17 for the proper coupler or adapter.

Repair Parts Kit No. 3430-0383 (Universal) Consists of: (6) Ref. 11 Super Rollers, (2) Ref. 6 O-Ring Gaskets, and (2) Ref. 3 Viton Seals.

Repair Parts Kit No. 3430-0386 Consists of: (6) Ref. 11 Super Rollers, (1) Ref. 6 O-Ring Gasket, and (2) Ref. 3 Viton Seals.

Repair Parts Kit No. 3430-0387 Consists of: (6) Ref. 11 Super Rollers, (1) Ref. 6 O-Ring Gasket, and (2) Ref. 3 Buna-N Seals.

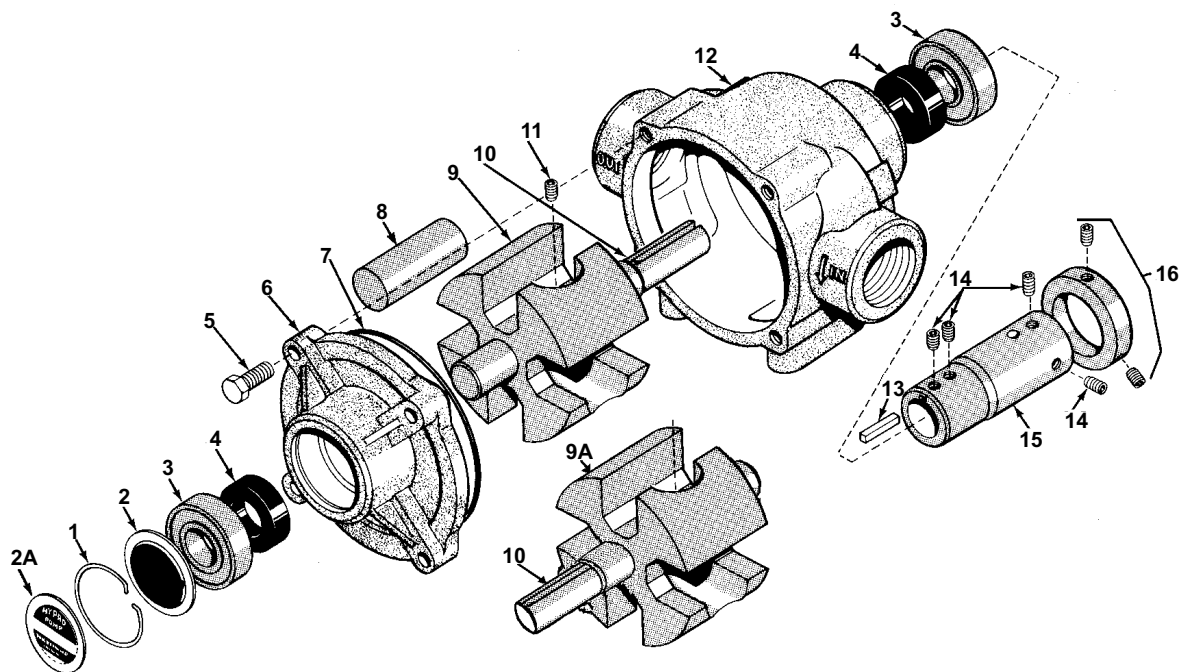
Repair Parts Kit No. 3430-0162 Consists of: (6) Ref. 11 Polypropylene Rollers and (1) Ref. 6 O-Ring Gasket.

Repair Parts Kit No. 3430-0164 Consists of: (6) Ref. 11 Polypropylene Rollers, (1) Ref. 6 O-Ring Gasket, and (2) Ref. 3 Viton Seals.

Repair Parts Kit No. 3430-0163 Consists of: (6) Ref. 11 Polypropylene Rollers, (1) Ref. 6 O-Ring Gasket, and (2) Ref. 3 Buna-N Seals.

Repair Parts Kit No. 3430-0406 Consists of: (6) Ref. 11 Super Rollers, (1) Ref. 6 O-Ring Gasket, (2) Ref. 3 Viton Seals and (2) Ref. 2 Sealed Ball Bearings.

Model 1200 (Discontinued)



Ref. No.	Qty. Req'd.	Part Number	Description
1	1	1800-0013	Retainer Ring
2	1	2840-0049	Bearing Cover
2A	1	6031-0258	Name Plate (Specify Pump Model #)
3	2	2001-0006	Ball Bearing
4	2	2112-0008	Buna-N Seal (Standard)
4	2	2112-0009	Viton Seal (Optional)
5	4	2210-0019	Hex Head Bolt
6	1	0200-1200C	Endplate (Cast Iron) with Seal
7	1	1720-0127	O-ring Gasket for Endplate
8	4	1005-0006	Super Roller (Standard)
9	1	0300-1200C	Rotor (Cast Iron) with shaft (Std. Rotation)
9A	1	0301-1200C	Rotor (Cast Iron) with shaft (Rev. Rotation)

Ref. No.	Qty. Req'd.	Part Number	Description
10	1	0500-1200	Shaft
11	1	2230-0018	Set Screw
12	1	0100-1200C	Body (Cast Iron) with Seal
13	1	1610-0005	Key
14	1 kit	3410-0031	Set Screw Kit
15	1	1320-0081	1-3/8" 6-spline 540 rpm PTO Adapter (Forged Steel) Includes Kit No. 3410-0031 Sold Separately
16	1 kit	3430-0207	Locking Collar Kit — Sold Separately Includes: (1) Collar and (2) Set Screws

Parts Kit No. 3430-0374 Consists of (4) Ref. 8 Super Rollers, (1) Ref. 7 O-Ring, and (2) Ref. 4 Buna-N Seals.

Locking Collar Kit No. 3430-0207
For Series 1200 Roller Pumps

This locking collar kit holds the pump driver shaft securely on the tractor PTO shaft. It is designed to increase pump life by reducing pump and PTO shaft wear due to vibration. To install locking collar:

1. Slide collar onto pump driver shaft.
2. Thread the longer set screw through the locking collar and partially through the threaded hole in the pump driver shaft. **IMPORTANT:** It is necessary to allow a minimum of 1/8" clearance between the locking collar and the pump driver shaft at set screw.

ORDER PARTS FROM YOUR SUPPLIER

3. Thread the shorter set screw into the other threaded hole in the locking collar.
4. Slide pump driver hub over PTO shaft. Be sure PTO groove is under set screw.
5. Tighten the longer screw very securely with a 3/16" allen wrench.
6. Tighten the shorter set screw very securely with the same wrench. This binds set screw which prevents it from coming loose.
7. **NOTE:** Locking collar is off-center on the pump driver shaft when properly installed.

Roller Pump Performance Chart

U.S. Units

Metric Units

4001 Models

Series 4000

PSI	0		25		50		75		100		125		150	
RPM	GPM	HP	GPM	HP	GPM	HP	GPM	HP	GPM	HP	GPM	HP	GPM	HP
1100	5.5	.06	4.9	.14	4.4	.24	4.1	.34	3.8	.41	3.5	.51	3.3	.62
1400	7.1	.10	6.4	.20	5.9	.32	5.6	.44	5.3	.56	5.0	.68	4.8	.78
1800	9.1	.14	8.5	.30	8.0	.46	7.6	.62	7.3	.78	7.0	.95	6.7	1.1

BAR	0		1.7		3.4		5.2		6.9		8.6		10.3	
RPM	LPM	HP	LPM	HP	LPM	HP	LPM	HP	LPM	HP	LPM	HP	LPM	HP
1100	20.8	0.06	18.5	0.14	16.6	.24	15.5	0.34	14.4	0.41	13.2	0.51	12.5	0.62
1400	26.9	0.1	24.2	0.2	22.3	0.32	21.2	0.44	20.1	0.56	18.9	0.66	18.2	0.78
1800	34.4	0.14	32.2	0.3	30.3	0.46	28.7	0.62	27.6	0.78	26.5	0.95	25.4	1.1

4101 Models

PSI	0		25		50		75		100		125		150	
RPM	GPM	HP	GPM	HP	GPM	HP	GPM	HP	GPM	HP	GPM	HP	GPM	HP
1800	5.0	.11	4.8	.21	4.5	.34	4.2	.45	3.9	.56	3.7	.68	3.4	.78
2200	6.2	.14	5.8	.27	5.6	.40	5.4	.55	5.0	.68	4.7	.82	4.4	.96
2600	7.2	.16	6.9	.30	6.6	.46	6.4	.62	6.0	.76	5.7	.92	5.4	1.08

BAR	0		1.7		3.4		5.2		6.9		8.6		10.3	
RPM	LPM	HP	LPM	HP	LPM	HP	LPM	HP	LPM	HP	LPM	HP	LPM	HP
1800	18.9	0.11	18.1	0.21	17.0	0.34	15.9	0.45	14.8	0.56	14.0	0.68	12.9	0.78
2200	23.5	0.14	21.9	0.27	21.2	0.4	20.4	0.55	18.9	0.68	17.8	0.82	16.6	0.96
2600	27.3	0.16	26.1	0.3	25.0	0.46	24.2	0.62	22.7	0.76	21.6	0.92	20.4	1.08

Series 6500

PSI	0		50		100		150		200		250		300	
RPM	GPM	HP	GPM	HP	GPM	HP	GPM	HP	GPM	HP	GPM	HP	GPM	HP
540	9.7	.08	8.0	.38	7.2	.68	6.6	.97	5.6	1.29	4.9	1.65	4.3	1.91
1000	18.2	.20	16.5	.71	15.4	1.26	14.7	1.80	14.0	2.34	13.4	2.91	12.7	3.47
1200	21.8	.30	20.1	.90	19.1	1.51	18.2	2.14	17.3	2.84	16.5	3.48	15.7	4.17

BAR	0		3.4		6.9		10.3		13.8		17.2		20.7	
RPM	LPM	HP	LPM	HP	LPM	HP	LPM	HP	LPM	HP	LPM	HP	LPM	HP
540	36.7	0.08	30.3	0.38	27.3	0.68	25	0.97	21.2	1.29	18.5	1.65	16.3	1.91
1000	68.9	0.2	62.4	0.71	58.3	1.26	55.6	1.8	53	2.34	50.7	2.91	48.1	3.47
1200	82.5	0.3	76.1	0.9	72.3	1.51	68.9	2.14	65.5	2.84	62.4	3.48	59.4	4.17

Series 7700

PSI	0		50		100		150		200	
RPM	GPM	HP	GPM	HP	GPM	HP	GPM	HP	GPM	HP
540	14.2	.23	12.9	.56	11.9	1.10	11.2	1.64	10.3	2.22
600	15.3	.28	14.0	.62	13.0	1.20	12.3	1.80	11.6	2.44
800	22.1	.37	20.7	.86	19.5	1.66	18.6	2.40	17.8	3.26

BAR	0		3.4		6.9		10.3		13.8	
RPM	LPM	HP	LPM	HP	LPM	HP	LPM	HP	LPM	HP
540	53.7	0.23	48.8	0.56	45	1.1	42.4	1.64	39	2.22
600	57.9	0.28	53	0.62	49.2	1.2	46.6	1.8	43.9	2.44
800	83.6	0.37	78.3	0.86	73.8	1.66	70.4	2.4	67.4	3.26

Series 7560

PSI	0		50		100		150		200		250		300	
RPM	GPM	HP	GPM	HP	GPM	HP	GPM	HP	GPM	HP	GPM	HP	GPM	HP
540	12	.33	11.1	.74	10.3	1.25	9.5	1.77	8.6	2.26	7.8	2.78	7.1	3.3
800	18.3	.89	17.5	1.26	16.9	1.95	16.1	2.65	15.5	3.4	14.5	4.2	13.7	4.9
1000	22.5	1.56	22	1.78	21.3	2.53	20.6	3.5	20	4.2	18.9	5.3	18.0	6.1

BAR	0		3.4		6.9		10.3		13.8		17.2		20.7	
RPM	LPM	HP	LPM	HP	LPM	HP	LPM	HP	LPM	HP	LPM	HP	LPM	HP
540	45.4	0.33	42	0.74	39	1.25	36	1.77	32.5	2.26	29.5	2.78	26.9	3.3
800	69.3	0.89	66.2	1.26	64	1.95	60.9	2.65	58.7	3.4	54.9	4.2	51.9	4.9
1000	85.2	1.56	83.3	1.78	80.6	2.53	78	3.5	75.7	4.2	71.5	5.3	68.1	6.1

Series 1700

PSI	0		50		100		150		200	
RPM	GPM	HP	GPM	HP	GPM	HP	GPM	HP	GPM	HP
540	25.0	.27	21.0	1.18	19.0	2.13	17.0	2.89	15.0	3.85
600	28.0	.34	24.5	1.39	22.0	2.36	20.0	3.34	18.0	4.39
1000	45.0	1.42	43.0	3.0	41.0	4.67	39.0	6.07	-	-

BAR	0		3.4		6.9		10.3		13.8	
RPM	LPM	HP	LPM	HP	LPM	HP	LPM	HP	LPM	HP
540	94.6	0.27	79.5	1.18	71.9	2.13	64.3	2.89	56.8	3.85
600	106	0.34	92.7	1.39	83.3	2.36	75.7	3.34	68.1	4.39
1000	170	1.42	163	3.00	155	4.67	148	6.07	-	-

Series 1500

PSI	0		25		50		100		150	
RPM	GPM	HP	GPM	HP	GPM	HP	GPM	HP	GPM	HP
540	33.1	.51	29.7	1.02	27.8	1.45	24.3	2.46	21.0	3.54
600	36.8	.66	33.6	1.15	31.7	1.68	28.3	2.78	25.0	3.95
1000	62.1	2.02	58.5	3.04	56.9	3.69	53.9	5.31	50.9	7.12

BAR	0		1.7		3.4		6.9		10.3	
RPM	LPM	HP	LPM	HP	LPM	HP	LPM	HP	LPM	HP
540	125	0.51	112	1.02	105	1.45	92	2.48	79.5	3.54
600	139	0.66	127	1.15	120	1.68	107	2.78	94.6	3.95
1000	235	2.02	221	3.04	215	3.69	204	5.31	193	7.12

Note: "HP" is electrical horsepower. Consult your gas engine supplier for engine horsepower required.

List of Dimensions — Hypro Adapters

PTO Adapters (Female to Female)

Part Number	PTO (I.D.)	Pump End (I.D.)	Material	RPM	Pump Model
1320-0015	3/4"	5/8"	steel	*	4000, 6500
1320-0016	5/8"	5/8"	steel	*	4000, 6500
1320-0022	1 ³ / ₈ " (6 spline)	5/8"	die cast	540	6500
1320-0033	1 ³ / ₈ " (6 spline)	15/16"	die cast	540	1500, 1700, 7560, 7700
1320-0038	1 ³ / ₈ " (21 spline)	15/16"	die cast	1000	1500, 1700, 7560
1320-0053	1 ³ / ₈ " (21 spline)	5/8"	die cast	1000	4000, 6500
1320-0054	3/4"	15/16"	die cast	*	1500, 1700, 7560, 7700
1320-0059	1 ³ / ₈ " (6 spline)	1"	die cast	540	5200
1320-0076	1 ³ / ₈ " (6 spline)	15/16"	forged steel	540	1500, 1700, 7560, 7700
1320-0077	1 ³ / ₈ " (6 spline)	5/8"	forged steel	540	6500
1320-0078	1 ³ / ₈ " (21 spline)	15/16"	forged steel	1000	1500, 1700, 7560
1320-0079	1 ³ / ₈ " (21 spline)	5/8"	forged steel	1000	4000, 6500
1320-0080	1 ³ / ₄ " (20 spline)	15/16"	forged steel	1000	1500, 1700, 7560
1320-0081	1 ³ / ₈ " (6 spline)	1"	forged steel	540	5200

* Refer to the recommended pump rpm.

Quick Couplers (Female to Female)

Part Number	PTO (I.D.)	Pump End (I.D.)	Material	RPM	Pump Model
1321-0006	1 ³ / ₈ " (6 spline)	5/8"	die cast	540	6500
1321-0007	1 ³ / ₈ " (6 spline)	15/16"	die cast	540	1500, 1700, 7560, 7700
1321-0008	1 ³ / ₈ " (21 spline)	5/8"	die cast	1000	4000, 6500
1321-0009	1 ³ / ₈ " (21 spline)	15/16"	die cast	1000	1500, 1700, 7560
1321-0012	1 ³ / ₈ " (multi-speed)	5/8"	die cast	540/1000	4000, 6500
1321-0013	1 ³ / ₈ " (multi-speed)	15/16"	die cast	540/1000	1500, 7560, 7700
1323-0072	1 ³ / ₈ " (6 spline)	15/16"	forged steel	540	1500, 1700, 7560, 7700
1323-0073	1 ³ / ₈ " (21 spline)	15/16"	forged steel	1000	1500, 1700, 7560
1323-0074	1 ³ / ₈ " (6 spline)	5/8"	forged steel	540	6500
1323-0075	1 ³ / ₈ " (21 spline)	5/8"	forged steel	1000	4000, 6500
1323-0076	1 ³ / ₈ " (multi-speed)	15/16"	forged steel	540/1000	1500, 1700, 7560
1323-0077	1 ³ / ₈ " (multi-speed)	5/8"	forged steel	540/1000	4000, 6500

WHAT **HYPRO**[®]

Roller Pump, Rollers and Seals

SHOULD YOU USE?

Material options for rollers and seals are listed in the order of recommendations for usage. These recommendations are only a general guide. For suggestions on specific chemicals or applications, call Hypro's Technical/Applications Department at (800) 445-8360.

Application	Specific Chemicals	Suggested Pump, Rollers and Seals
WEED CONTROL CHEMICALS	Emulsions, soluble powders, sodium arsenate	Use a SilverCast™, Ni-Resist, or cast iron pump; Super Rollers and Viton seals. <i>NOTE: For weed control chemicals containing glyphosate (such as Roundup®) or other acidics, use only a SilverCast pump with Super or polypropylene rollers and Viton seals. Teflon rollers may be used up to 100 psi.</i>
INSECT CONTROL	Emulsions, not containing aromatic solvents	
BRUSH CONTROL	Heavy-duty sprays using diesel oil for carrier	Use a SilverCast, Ni-Resist or cast iron pump; Super Rollers and Viton seals.
PEST CONTROL CHEMICALS, FUMIGANTS, ETC.	This category or use includes mosquito sprays, termite control liquids, nematocides, soil and grain fumigants, where any of the following chemicals with aromatic solvents are present: Pentachlorophenol, xylene, xylol, benzene, high sulphur fuel or diesel oil. Fumigants containing: ethylene dichloride, ethylene dibromide, carbon tetrachloride, perchlorethylene, trichlorethylene, methyl bromide, and other aromatic solvents.	
LIQUID FERTILIZERS	Up to 32% nitrogen content, or others if the liquid is at atmospheric pressure and the temperature is handled.	
POWDERED FERTILIZERS	Fertilizers dissolved in water (greenhouse plant food)	Use a SilverCast, Ni-Resist or cast iron pump; Super or polypropylene rollers; and Buna-N or Viton seals.
PUMPING	Large quantities of plain water	
SPRAYING	Wettable powder sprays	
MATERIAL HANDLING	Heavy abrasive powders in suspension	
ACIDS	Mild sulfuric acid for spraying; mild muriatic acid, inhibited muriatic, etc.	Use a SilverCast pump, Viton seals, and polypropylene or Teflon rollers. <i>NOTE: Limit pressure to 100 psi when using Teflon rollers.</i>

Limited Warranty on Hypro/SHURflo Agricultural Pumps & Accessories

Hypro/SHURflo (hereafter, "Hypro") agricultural products are warranted to be free of defects in material and workmanship under normal use for the time periods listed below, with proof of purchase.

- Pumps: one (1) year from the date of manufacture, or one (1) year of use. This limited warranty will not exceed two (2) years, in any event.
- Accessories: ninety (90) days of use.

This limited warranty will not apply to products that were improperly installed, misapplied, damaged, altered, or incompatible with fluids or components not manufactured by Hypro. All warranty considerations are governed by Hypro's written return policy.

Hypro's obligation under this limited warranty policy is limited to the repair or replacement of the product. All returns will be tested per Hypro's factory criteria. Products found not defective (under the terms of this limited warranty) are subject to charges paid by the returnee for the testing and packaging of "tested good" non-warranty returns.

No credit or labor allowances will be given for products returned as defective. Warranty replacement will be shipped on a freight allowed basis. Hypro reserves the right to choose the method of transportation.

This limited warranty is in lieu of all other warranties, expressed or implied, and no other person is authorized to give any other warranty or assume obligation or liability on Hypro's behalf. Hypro shall not be liable for any labor, damage or other expense, nor shall Hypro be liable for any indirect, incidental or consequential damages of any kind incurred by the reason of the use or sale of any defective product. This limited warranty covers agricultural products distributed within the United States of America. Other world market areas should consult with the actual distributor for any deviation from this document.

Return Procedures

All products must be flushed of any chemical (ref. OSHA section 1910.1200 (d) (e) (f) (g) (h)) and hazardous chemicals must be labeled/tagged before being shipped* to Hypro for service or warranty consideration. Hypro reserves the right to request a Material Safety Data Sheet from the returnee for any pump/product it deems necessary. Hypro reserves the right to "disposition as scrap" products returned which contain unknown fluids. Hypro reserves the right to charge the returnee for any and all costs incurred for chemical testing, and proper disposal of components containing unknown fluids. Hypro requests this in order to protect the environment and personnel from the hazards of handling unknown fluids.

Be prepared to give Hypro full details of the problem, including the model number, date of purchase, and from whom you purchased your product. Hypro may request additional information, and may require a sketch to illustrate the problem.

Contact Hypro Service Department at 800-468-3428 to receive a Return Merchandise Authorization number (RMA#). Returns are to be shipped with the RMA number clearly marked on the outside of the package. Hypro shall not be liable for freight damage incurred during shipping. Please package all returns carefully. All products returned for warranty work should be sent **shipping charges prepaid** to:

HYPRO
Attention: Service Department
375 Fifth Avenue NW
New Brighton, MN 55112

For technical or application assistance, call the **Hypro Technical/Application number: 800-445-8360**, or send an email to: **technical@hypropumps.com**. To obtain service or warranty assistance, call the **Hypro Service and Warranty number: 800-468-3428**; or send a fax to the **Hypro Service and Warranty FAX: 651-766-6618**.

*Carriers, including U.S.P.S., airlines, UPS, ground freight, etc., require specific identification of any hazardous material being shipped. Failure to do so may result in a substantial fine and/or prison term. Check with your shipping company for specific instructions.



Pentair

SPRAY & INJECTION TECHNOLOGIES GROUP

375 Fifth Avenue NW • New Brighton, MN 55112

Phone: (651) 766-6300 • 800-424-9776 • Fax: 800-323-6496

www.hypropumps.com