

Tank cleaners E-Series



ER 55 / 40 / 32



ERK



ERD / ERD70



ERC



ERW

Ideal for cleaning jobs where an electric motor can be used as the drive for the spray head. Available with different spray heads, for infinite possible uses.

Highlights

- Electric drive
- Best price-performance ratio
- Consistent rotation speed
- Long-lasting Viton seals
- Low weight
- Easy to maintain

Technical data

		ER 55	ER 40	ER 32	ERK	ERD	ERD70	ERC	ERW
Working pressure max	bar	250	180	180	180	200	70	250	250
Flow rate max	l/min	50	30	30	30	80	200	50	50
Working temperature max	°C	150	150	150	150	150	150	150	150
Jet coverage	degrees	360°	360°	360°	360°	360°	360°	360°	270°
Rotation speed	r/min	11 / 17 / 24 / 33							
Current type	VAC	230 / 115 / 24 / 48							
	VDC	24							
Noise level *	dba	not measurable							
Weight **	kg	5÷20							

* The noise levels are measured on the drive. The measurable values may differ depending on the application.

** The weight depends on the length of the shaft and the configuration of the fittings.

For the full range of our accessories, please refer to our Accessories Catalogue or visit www.moog.ch/en/accessories

	ER 55	ER 40	ER 32	ERK	ERD	ERD70	ERC	ERW
<ul style="list-style-type: none"> ☼ Standard equipment ☽ Available as option 								
Stainless steel 316L	☼	☼	☼	☼	☼	☼	☼	☼
Number of nozzles	2•3•4	2•3•4	2	2	4	4	2	2
Shaft length	200 up to 4000 mm, special length on request							
Minimum size of opening /mm	54	50	38	38	78	78	56	68
Viton seals	☼	☼	☼	☼	☼	☼	☼	☼
Solvent resistant seals	☽	☽	☽	☽	☽	☽	☽	☽
EPDM seals	☽	☽	☽	☽	☽	☽	☽	☽
Water connection 3/8"	☼	☼	☼	☼	☼	☼	☼	☼
Water connection M22x1,5	☽	☽	☽	☽	☽	☽	☽	☽
Nozzle thread	1/8"	M6	M4	M4	1/8"	1/8"	1/8"	1/8"
Point jet nozzles 0°	☼	☼	☼	☼	☼	☼	☼	☼
Flat spray nozzles 5°/15°	☽	☽	☽	☽	☽	☽	☽	☽

Cleaning Head R40



The R40 has a 3D rotating spray head with 360° spray coverage. Its compact 40mm head enable a breadth of applications. The high-pressure nozzles are built into the head unit.

Applications

For complete cleaning of production, transportation as well as storage tank interiors.

Highlights

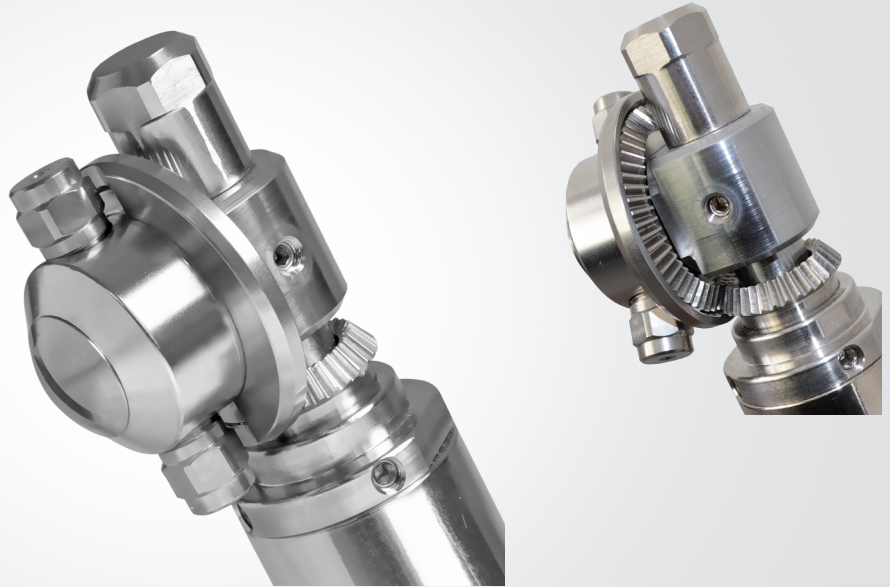
- Compact build ideal for small openings
- Superior cleaning performance
- 3 drive options
- 5 / 8 standard lengths, specialty lengths up to 4000 mm

Technical Specifications

R40

Drive		Water-hydraulic, electric or compressed air
Shaft length	mm	140 / 170 / 300 (water-hydraulic only) 500 / 700 / 1000 / 1500 / 2000 individual specialty lengths = 500 to 4000
Working pressure	bar	Up to 250
Flow rate	l/min	Up to 50
Operating temp.	°C	Up to 150
Nozzle		Number of 2 / 3 / 4, angle 0° / 5° / 15°, thread M6
Water point		3/8" / 1/2" / M22x1,5
Opening size for installation	mm	Ø > 50 (for automatic retraction Ø > 64)
Material		Cleaning head and shaft entirely 316L
Sealant		FPM Viton / FFKM Perfluor / EPDM

Cleaning Head R55



The R55 has a 3D rotating spray head with 360° spray coverage. It is ideal for a wide variety of applications and can be augmented by 2, 3 or 4 high-pressure nozzles.

Applications

For complete cleaning of production, transportation as well as storage tank interiors.

Highlights

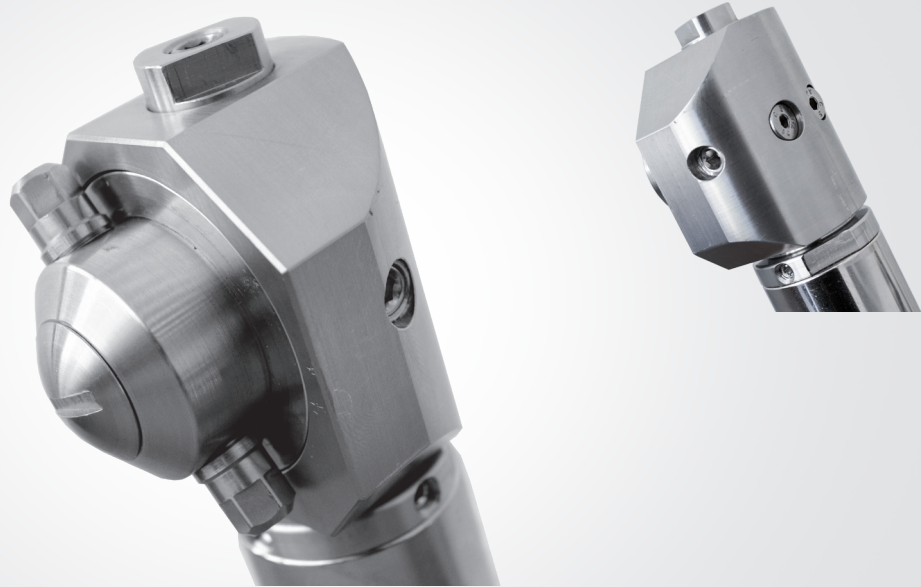
- Universal application
- Superior cleaning performance
- 3 drive options
- 5 / 8 standard lengths, specialty lengths up to 4000 mm

Technical Specifications

R55

Drive		Water-hydraulic, electric or compressed air
Shaft length	mm	1140 / 170 / 300 (water-hydraulic only) 500 / 700 / 1000 / 1500 / 2000 individual specialty lengths = 500 to 4000
Working pressure	bar	Up to 250
Flow rate	l/min	Up to 50
Operating temp.	°C	Up to 150
Nozzle		Number of 2 / 3 / 4, angle 0° / 5° / 15°, thread 1/8"
Water point		3/8" / 1/2" / M22x1,5
Opening size for installation	mm	Ø > 54 (for automatic retraction Ø > 75)
Material		Cleaning head and shaft entirely 316L
Sealant		FPM Viton / FFKM Perfluor / EPDM

Cleaning Head RC



The RC has a 3D rotating spray head with 360° spray coverage. The gearwheels are fully mechanically encapsulated to protect from dirt and damage.

Applications

For complete cleaning of production, transportation as well as storage tank interiors.

Highlights

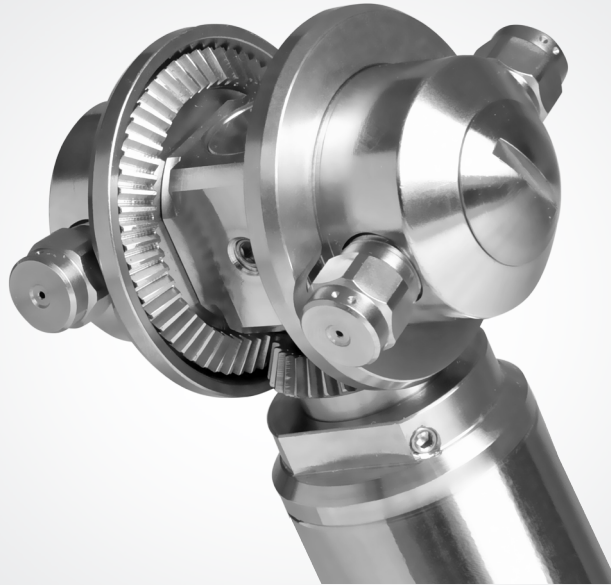
- Mechanically encapsulated cleaning head
- Superior cleaning performance
- 3 drive options
- 5 / 8 standard lengths, specialty lengths up to 4000 mm

Technical Specifications

RC

Drive		Water-hydraulic, electric or compressed air
Shaft length	mm	140 / 170 / 300mm (water-hydraulic only) 500 / 700 / 1000 / 1500 / 2000mm individual specialty lengths = 500 to 4000mm
Working pressure	bar	Up to 250
Flow rate	l/min	Up to 50
Operating temp.	°C	Up to 150
Nozzle		Number of 2, angle 0° / 5° / 15°, thread 1/8"
Water point		3/8" / 1/2" / M22x1,5
Opening size for installation	mm	Ø > 56 (for automatic retraction Ø > 77)
Material		Cleaning head and shaft entirely 316L
Sealant		FPM Viton / FFKM Perfluor / EPDM

Cleaning Head RD



The RD consists of two identical inversely-rotating 55mm heads boasting a 360° spray coverage.

Applications

For complete cleaning of production, transportation as well as storage tank interiors.

Highlights

- Double spray head reduces cleaning time
- Superior cleaning performance
- 3 drive options
- 5 / 8 standard lengths, specialty lengths up to 4000 mm

Technical Specifications

RD

Drive		Water-hydraulic, electric or compressed air
Shaft length	mm	140 / 170 / 300 (water-hydraulic only) 500 / 700 / 1000 / 1500 / 2000 individual specialty lengths = 500 to 4000
Working pressure	bar	Up to 200
Flow rate	l/min	Up to 80
Operating temp.	°C	Up to 150
Nozzle		Number of 4, angle 0° / 5° / 15°, thread 1/8"
Water point		3/8" / 1/2" / M22x1,5
Opening size for installation	mm	Ø > 78
Material		Cleaning head and shaft entirely 316L
Sealant		FPM Viton / FFKM Perfluor / EPDM

Cleaning Head RH



The RH is designed according to EHEDG hygiene guidelines for the food industry. Other features include defined, orbital stream guidance and a 360° spray pattern.

Applications

For complete cleaning of food-industry production, transportation and storage tank interiors. Either mounted inside the container (CIP), automatic retraction (optional) or manually installed for cleaning purpose.

Highlights

- Follows hygiene-guidelines
- Superior cleaning performance
- Reduced cleaning time
- Low water and energy usage
- 2 drive options
- 5 / 8 standard lengths, specialty lengths up to 4000 mm

Technical Specifications

RH

Drive		Water-hydraulic or electric
Shaft length	mm	140 / 170 / 300 (water-hydraulic only) 500 / 700 / 1000 / 1500 / 2000 individual specialty lengths = 500 to 4000
Working pressure	bar	Up to 250
Flow rate	l/min	Up to 50
Operating temp.	°C	Up to 150
Nozzle		Number of 2, angle 0° / 5° / 15°, thread 1/8"
Water point		3/8" / 1/2" / M22x1,5
Opening size for installation	mm	Ø > 56 (for automatic retraction Ø > 77)
Material		Cleaning head and shaft entirely 316L
Sealant		FPM Viton

Cleaning Head RK



The RK has a 3D rotating spray head with 360° spray coverage. With its sleek profile, rounded edges and covered gearwheels, this cleaning head is designed for easy insertion into tanks with narrow openings.

Applications

For complete cleaning of production, transportation as well as storage tank interiors.

Highlights

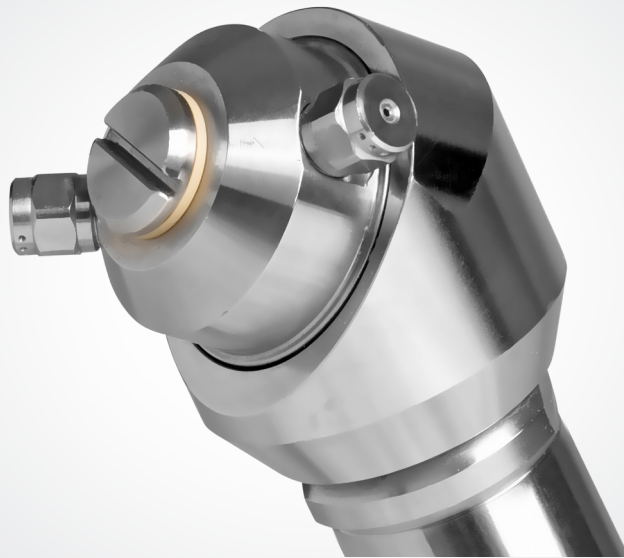
- Specialty head for narrow tank openings
- High cleaning performance
- 2 drive options
- 5 / 8 standard lengths, specialty lengths up to 4000 mm

Technical Specifications

RK

Drive		Water-hydraulic or electric
Shaft length	mm	140 / 170 / 300 (water-hydraulic only) 500 / 700 / 1000 / 1500 / 2000 individual specialty lengths = 500 to 4000
Working pressure	bar	Up to 180
Flow rate	l/min	Up to 30
Operating temp.	°C	Up to 150
Nozzle		Number of 2, angle 0° / 5° / 15°, thread M4
Water point		3/8" / 1/2" / M22x1,5
Opening size for installation	mm	Ø > 38
Material		Cleaning head and shaft entirely 316L
Sealant		FPM Viton / FFKM Perfluor / EPDM

Cleaning Head RW



The RW has a 3D rotating angled spray head with 270° spray coverage. The gearwheels are fully mechanically encapsulated to protect from dirt and damage.

Applications

For partial cleaning of production, transportation as well as storage tank interiors.

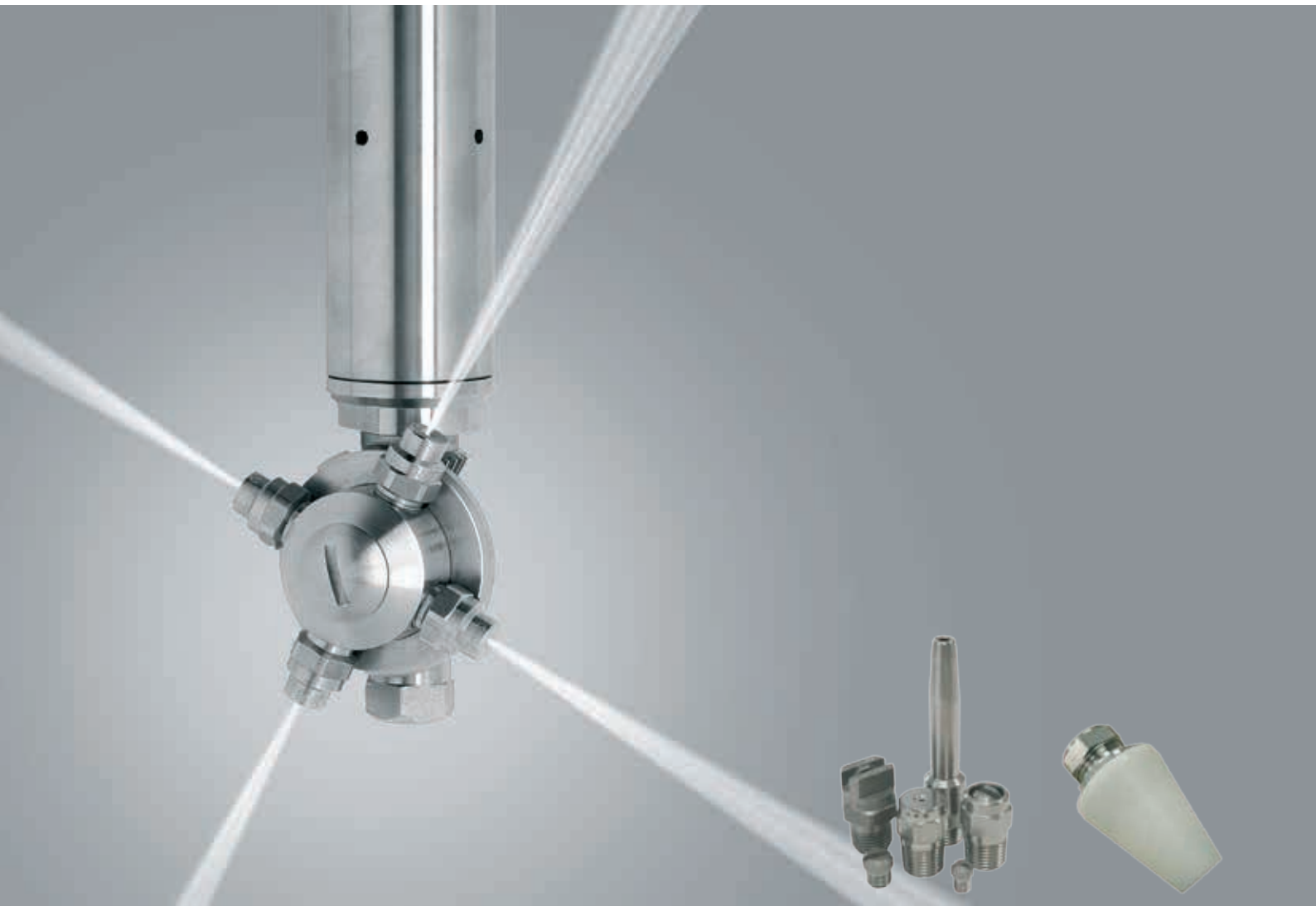
Highlights

- Specialty head for 270° coverage
- Cleaning head mechanically encapsulated
- Superior cleaning-performance
- 2 drive options
- 5 / 8 standard lengths, specialty lengths up to 4000 mm

Technical Specifications

RW

Drive		Water-hydraulic or electric
Shaft length	mm	140 / 170 / 300 (water-hydraulic only) 500 / 700 / 1000 / 1500 / 2000 individual specialty lengths = 500 to 4000
Working pressure	bar	Up to 250
Flow rate	l/min	Up to 50
Operating temp.	°C	Up to 150
Nozzle		Number of 2, angle 0° / 5° / 15°, thread 1/8"
Water point		3/8" / 1/2" / M22x1,5
Opening size for installation	mm	Ø > 68 (for automatic retraction Ø > 84)
Material		Cleaning head and shaft entirely 316L
Sealant		FPM Viton / FFKM Perfluor / EPDM



Accessories

for tank washers and barrel cleaners



Catalogue 2014

Deutsch / English / Français

Tankhalterung
Tank mount
Support pour cuves

Material

Art. No.



für Möschle Mannloch
for Möschle manhole
pour trou d'homme
Möschle

Inox (SS)

126.18.01.00

Clevere Halterung, welche den Behälter-Innenreiniger während der Reinigung in Position hält. Schnelle und sichere Montage innerhalb weniger Minuten. Position des Spritzkopfes jederzeit verstellbar. Verfügbar für alle gängigen Tanks.

- **Schnelle Montage**
- **Hält den Spritzkopf in Position**
- **Tankreiniger in der Lage verschiebbar**
- **Für alle Tanks mit gleicher Mannlochgrösse**

Clever tank mount, which holds the tank washer in position during cleaning. Quick and safe installation within a few minutes. The position of the spray head remains adjustable at all times. Available for all current tank makes.

- **Quick installation**
- **Holds the spray head in position**
- **Tank washer remains movable**
- **For all tanks with equal manhole size**

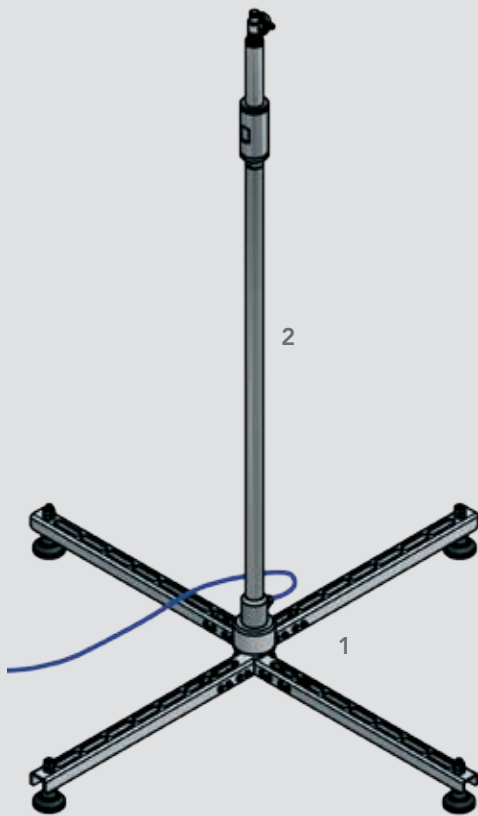
Support pratique qui maintient le nettoyeur de cuves en position durant le nettoyage. Installation rapide et sûre en quelques minutes. La position de la tête gicleuse reste réglable à tout moment. Disponible pour toutes cuves courantes.

- **Installation rapide**
- **Maintient la tête gicleuse en position**
- **Nettoyeur reste orientable**
- **Pour toutes cuves avec trou d'homme de même dimension**

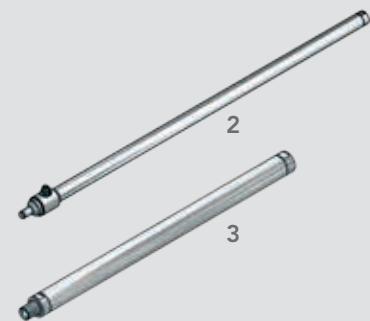


Stativ
Stand
Statif

Art. No.



1	4-Fuss Ständer 4-foot stand Support à 4 pieds		005.01.1.007.0
2	Basiselement Base element Élément de base	1000 mm	005.01.1.010.0
3	Verlängerung Extension Rallonge	500 mm 700 mm 1000 mm	008.21.1.001-0500 008.21.1.001-0700 008.21.1.001-1000



2-teiliges Stativ für eine einfache und flexible Platzierung des Spritzkopfes in mittelgrossen Tanks. 4-Fuss Ständer faltbar. In der Höhe variierbar mittels verschiedener Verlängerungen.

Für alle Behälter-Innenreiniger der Serie H mit Schaftlänge 140 mm geeignet.

Stand in two parts for an easy and flexible placement of the spray head inside mid-size tanks. Foldable 4-foot stand. Height-variable by means of different extensions.

Suitable for all tank cleaners from the H-Series with a shaft length of 140 mm.

Statif en deux parties pour un placement simple et flexible de la tête gicleuse dans les cuves de grandeur moyenne. Support à 4 pieds pliable. Peut être varié dans son hauteur grâce aux différentes rallonges.

Adapté aux nettoyeurs de récipients de la série H avec une longueur de tige de 140 mm.

- Für Behälter-Innenreiniger der Serie H (140 mm)
- Wasseranschluss 3/8" am Basiselement
- Maximal zulässige Höhe Basis + Verlängerung 2000 mm

- For tank cleaners from the H-Series (140 mm)
- Water inlet 3/8" on the base element
- Maximum allowable size of base + extension 2000 mm

- Pour nettoyeurs de récipients de la série H (140 mm)
- Raccordement d'eau 3/8" sur l'élément de base
- Hauteur admissible maximale base + rallonge 2000 mm

Zubehör Behälter-Innenreiniger

Accessories tank washers

Accessoires nettoyeurs de récipients

		Ø inside /mm	Ø outside /mm	Material	Art. No.
	Einschraubhalter	35	M48x1,5	Delrin (POM)	008.1513.0
	Screw-in mount	35	M48x1,5	316L/Delrin	008.1513.1
	Vissage	35	2"	Delrin (POM)	008.1513.2
		35	2"	316L/Delrin	008.1513.3
		35	M64x4	Delrin (POM)	008.1513.4
		35	M64x4	316L/Delrin	008.1513.5
	Gegenmutter		M48x1,5	316L	008.5230.1
	Counter nut		M48x1,5	Delrin (POM)	008.5230.0
	Contre-écrou		2"	316L	008.5158.1
			2"	Delrin (POM)	008.5158.2
			M64x4	316L	008.5158.3
			M64x4	Delrin (POM)	008.5158.4
	Fasshalterung	35	M64x4 / 2"	Delrin (POM)	008.1502.0
	Barrel screwing Fixation de fût	35	M64x4 / 2"	316L/Delrin (POM)	008.1503.0
	Spundlochhalterung	35	37 - 65	Delrin (POM)	008.1514.0
	Bunghole mount Fixation bonde	35	64 - 90	Delrin (POM)	008.1506.0
	Spundlochhalterung Bunghole mount Fixation bonde	35	51 - 80	Delrin/Nitril	008.1500.0
	Spundlochhalterung Bunghole mount Fixation bonde	27	30 - 60	Ms-Ni (NPB) /Delrin	008.1516.0
	Kombi-Einschraubhalter Combined screw-in mount Fixation à vis combiné	35	38 - 59 + M64x4	Delrin (POM)	008.1517.0
	Verschraubung PG36	27	PG 36	Ms-Ni	008.114.00
	Fitting PG36	35	PG 36		08.0001.08
	Vissage PG36		Mutter/Nut/ Ecrou		08.0001.09

Zubehör Behälter-Innenreiniger**Accessories tank washers****Accessoires nettoyeurs de récipients****Material****Art. No.**

Adapter
Adapter
Adaptateur

3/8" - M22x1.5 316L
3/8" - M24x1.5 316L
3/8" - 3/8" NPT 316L
3/8" - 1/2" 316L

008.5172.0
008.5141.0
008.5148.0
008.5245.0



Wandhalterung
Wall bracket
Crochet mural

für Behälter-Innenreiniger und
Fassreiniger
for tank cleaners and barrel cleaners
pour nettoyeurs de récipients et nettoyeurs de fûts

016.0260.0



Schlittenstativ
Variable stand
Statif réglable

Inox (S/S) 304

005.1501.1



Klemmeinheit
Universal support
Support universel

Inox (S/S) 304

126.1570.0



Aufhängebügel mit Wasserzufuhr
Bow with water inlet
Etrier de suspension avec
amenée d'eau

Inox (S/S) 304

008.1508.0
==> + Option
008.2017.A



Aufhängebügel
Suspension bow
Etrier de suspension

Inox (S/S) 304

008.1510.0

Inox (S/S) 304

008.1510.1



Doppelhandgriff
Double handle
Poignée double

Inox (S/S) 304

008.1501.0

Fallsicherung
Mechanical fall arrester
Fixation de sécurité

008.1525.0



Spritzkopfschutz
Spray head protection
Protection tête gicleuse

Inox (S/S) 316L

008.1515.0

Zubehör speziell zu Serie H
 Accessories especially for H-Series
 Accessoires spécialement pour Série H

Connection Material Length Art. No.



Regeldüse
 Control nozzle
 Buse de réglage

316L

008.20.3.012.0



Winkelanschluss 90°
 Elbow fitting 90°
 Raccord angulaire 90°

M22x1.5

316L

016.5124.3



Verlängerungsrohr
 Extension tube
 Tube rallonge

M22x1.5

316L

500 mm

008.21.1.001-0500

M22x1.5

316L

700 mm

008.21.1.001-0700

M22x1.5

316L

1000 mm

008.21.1.001-1000

M22x1.5

316L

1500 mm

008.21.1.001-1500

M22x1.5

316L

2000 mm

008.21.1.001-2000



Anschluss Teil 1/2"
 Water connection 1/2"
 Raccordement 1/2"

1/2"

316L

008.20.3.003.5

Anschluss Teil M22x1.5
 Water connection M22x1.5
 Raccordement M22x1.5

M22x1.5



316L

008.20.3.003.1

Zubehör Schwenkdüse ERS-40 / EMS-40 / ES-40

Accessories for swivel nozzle ERS-40 / EMS-40 / ES-40

Accessoires pour buse rotative ERS-40 / EMS-40 / ES-40

		Connection	Material	Art. No.
	Befestigungswinkel Fastening bracket Équerre de fixation		Inox (SS)	007.40.90.0
	Rotierdüse Rotary nozzle Buse rotative	1/4"	316L	05.0000.88
		1/4"	Ms (Br)	05.0000.91

Zubehör speziell zu BASIC40

Accessories especially for BASIC40

Accessoires spécialement pour BASIC40

		Ø inside /mm	Ø outside /mm	Material	Art. No.
	Spundlochhalterung Bunghole mount Fixation bonde	32	34 - 60		007.1500.0
	Doppelhandgriff Double handle Poignée double				008.1501.0
	Fassverschraubung Barrel screwing Fixation de fût	32	M64x4 / 2"		007.1501.0
	Flansch Flange Bride				007.1502.0

Zubehör Behälter-Innenreiniger

Accessories tank washers

Accessoires nettoyeurs de récipients

ATEX

Material

Art. No.



Erdleitungsbride Flury
Earth lead bracket Flury
Bride prise de terre Flury

für Potentialausgleich
for equipotential bonding
pour liaison équipotentielle

008.009.03



Verbindungs-Klemmring
Clamp Collar
Anneau de serrage

Ø 35 mm
Ø 27 mm
Bohrung M6 mit Erdungspunkt
Bore M6 with grounding point
Perçage M6 avec point de terre

008.5058.0E-EX
008.5058.3E-EX



DIN 11851
ATEX Verschraubung
ATEX Fitting
ATEX Raccord

DN 65-35
DN 65-35 L
DN 80-35
DN 80-35 L
DN 100-35
DN 100-35 L
DN 65-27
DN 65-27 L
DN 80-27
DN 80-27 L
DN 100-27
DN 100-27 L

008.90.2.001.0
008.90.2.002.0
008.90.2.011.0
008.90.2.012.0
008.90.2.021.0
008.90.2.022.0
008.90.2.015.0
008.90.2.016.0
008.90.2.025.0
008.90.2.026.0
008.90.2.035.0
008.90.2.036.0



DIN 32676
ATEX Clamp Verbindung
ATEX Clamp Connection
ATEX Connexion

DN 65-35
DN 65-35 L
DN 65-27
DN 65-27 L
DN 80-35
DN 80-35 L
DN 80-27
DN 80-27 L
DN 100-35
DN 100-35 L
DN 100-27
DN 100-27 L

008.90.2.101.0
008.90.2.102.0
008.90.2.105.0
008.90.2.106.0
008.90.2.111.0
008.90.2.112.0
008.90.2.115.0
008.90.2.116.0
008.90.2.121.0
008.90.2.122.0
008.90.2.125.0
008.90.2.126.0



ATEX Verschraubung
ATEX Fitting
ATEX Raccord

M48×1,5 - Ø35
M48×1,5 - Ø35 L
M48×1,5 - Ø27
M48×1,5 - Ø27 L
G2" - Ø35
G2" - Ø35 L
G2" - Ø27
G2" - Ø27 L
M64×4 - Ø35
M64×4 - Ø35 L
M64×4 - Ø27
M64×4 - Ø27 L

008.90.2.201.0
008.90.2.202.0
008.90.2.205.0
008.90.2.206.0
008.90.2.211.0
008.90.2.212.0
008.90.2.215.0
008.90.2.216.0
008.90.2.221.0
008.90.2.222.0
008.90.2.225.0
008.90.2.226.0



(L= lösungsmittelbeständig)
(L= solvent resistant)
(L= résistant aux solvants)

Zubehör Fassreiniger BRA

Accessories barrel cleaners BRA

Accessoires nettoyeurs de fûts BRA

Suitable for

Barrique

Art. No.



Saugrohr
Suction tube
Tube d'aspiration

BRA Standard

400 L

016.5108.0

600 L

016.5109.0



Saugrohr mit Saugfuss
Suction tube incl. suction foot
Tube d'aspiration avec pied d'aspiration

BRA Simplex

400 L

016.5123.0

600 L

016.5124.0



Druckregel-Kombination
Pressure regulator
Régulateur de pression

BRA
alle/all/tous

016.0207.0



Schmutzwasser-Schauglas
Waste water sight glass
Verre indicateur

BRA
alle/all/tous

016.0230.0



Wandhalterung
Wall bracket
Crochet mural

für Behälter-Innenreiniger und
Fassreiniger
for tank cleaners and barrel cleaners
pour nettoyeurs de récipients et
nettoyeurs de fûts

016.0260.0



Winkelanschluss 90°, M22x1.5
Elbow fitting 90°, M22x1.5
Raccord angulaire 90°, M22x1.5

BRA HD
BRA HD Flex

016.5124.3



Fassabstützung, komplett
Barrel support, complete
Appui de fût, complet

BRA
alle/all/tous

016.0243.1

**Düsen
Nozzles
Buses**

**Spray
pattern**

Thread

Material

Art. No.



Düsen 1/8"
Nozzles 1/8"
Buses 1/8"

0°

1/8"

316L
(1.4435)

008.5123.2



5°

1/8"

304
(1.4305)

008.5123.3



15°

1/8"

304
(1.4305)

008.5123.1



Düsen M6
Nozzles M6
Buses M6

0°

M6

316L
(1.4435)

008.5055.0



5°

M6

304
(1.4305)

008.5092.0



15°

M6

304
(1.4305)

008.5092.1



Düsen M4
Nozzles M4
Buses M4

0°

M4

316L
(1.4435)

008.5226.1



5°

M4

304
(1.4305)

016.5027.0



15°

M4

304
(1.4305)

016.5027.1

Düsen
Nozzles
Buses

Spray
pattern

Thread

Material

Art. No.



Adapter 1/8" auf M6 Düsen
Adapter 1/8" to M6 nozzles
Adaptateur 1/8" pour buses M6

1/8"

316L
(1.4435)

008.5123.6



Blinddüse
Blind nozzle
Buse bouchon

1/8"

316L
(1.4435)

18.0001.43



Langkegeldüse 1/8"
Long cone nozzle 1/8"
Buse conique longue 1/8"

0°

1/8"

316L
(1.4435)

004.5004.3