

Water Pumps, Chemical Pumps & Semi Trash Pumps



Water Pumps

Why do you need a water pump?

Water pumps are a useful tool for a variety of residential, light commercial and agricultural tasks. A water pump is ideal for:

- Draining water from a basement
- Draining and filling your swimming pool, pond or hot tub
- Draining shallow flooded areas
- Irrigation purposes for agricultural or lawn sprinkling
- Distributing fertilizers and pesticides
- Various other tasks including construction purposes

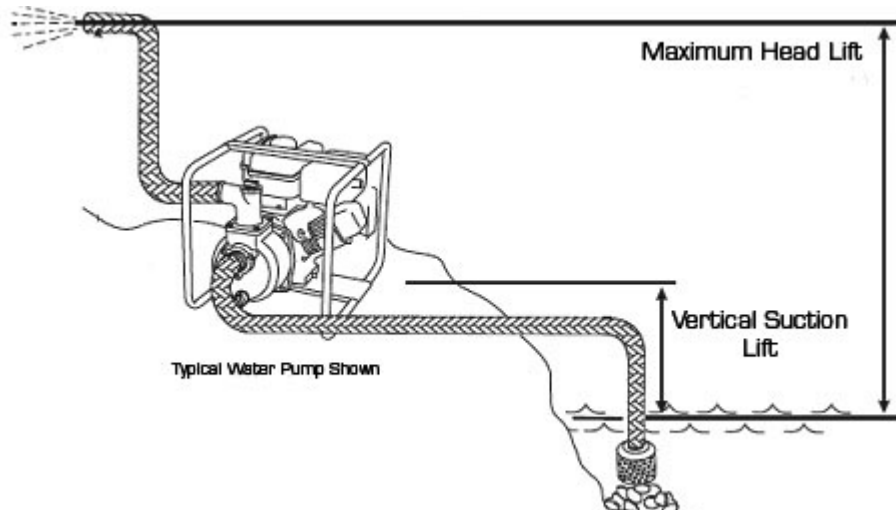
How do I choose the right pumps for my needs?

When shopping for a water pump there are various items to consider. All water pumps are measured in discharge capacity (GPM), vertical suction lift, and maximum head lift.

Discharge Capacity is the rate of speed that water flows from the source to the discharge point, measured in litres per minute. It provides the power to move water quickly.

Vertical Suction Lift is the vertical distance from the water source to the pump. This is important for draining a basement or deep pond.

Maximum Head Lift is the total height from the source of the water to the destination or drainage point. This provides the power to move water over a distance.





1" General Pump & 2" General Pump

	LC25ZB21-1.2Q - 1"	LC50ZB23-3.1Q - 2"
Pump Dia. of Discharge Port (mm)	25	50
Dia. of Suction Port (mm)	25	50
Lift (m)	21	23
Delivery Volume (litres/h)	8,000	30,000
Suction (m)	6	
Engine Engine Model	LC152F	G160F
Displacement (cc)	97	163
Net Power (hp)	1.6	4.8
Rated Speed (rpm)	3600	3600
Dimensions (mm)	380 x 300 x 370	550 x 430 x 390]
Net Weight (kg)	13	23



3" General Pump & 2" High Lift Pump

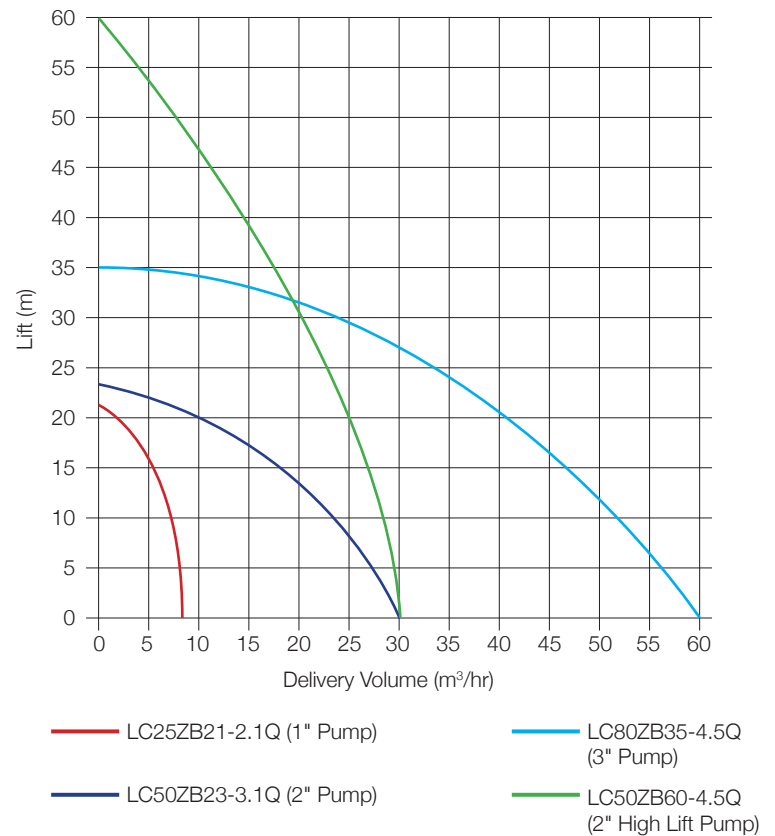
	LC80ZB35-4.5Q - 3"	LC50ZB60-4.5Q
Pump Dia. of Discharge Port (mm)	80	50
Dia. of Suction Port (mm)	80	50
Lift (m)	35	60
Delivery Volume (litres/h)	60,000	30,000
Suction (m)	6	
Engine Engine Model	G200F	
Displacement (cc)	196	
Net Power (hp)	5.5	
Rated Speed (rpm)	3600	
Dimensions (mm)	550 x 430 x 470	520 x 415 x 460
Net Weight (kg)	28	30.5



3" Semi Trash Pump

LC80WB30-4.5Q	
Pump	
Dia. of Discharge Port (mm)	80
Dia. of Suction Port (mm)	80
Lift (m)	30
Delivery Volume (litres/h)	45,000
Suction (m)	6
Engine	
Engine Model	G200F
Displacement (cc)	196
Net Power (hp)	5.5
Rated Speed (rpm)	3600
Dimensions (mm)	590 x 480 x 440
Net Weight (kg)	39

General Pump Flow Chart



2" Chemical Pump

LC50HZB23-3.1Q	
Pump	
Dia. of Discharge Port (mm)	50
Dia. of Suction Port (mm)	50
Lift (m)	23
Delivery Volume (litres/h)	35,000
Suction (m)	6
Engine	
Engine Model	G160F
Displacement (cc)	163
Net Power (hp)	4.8
Rated Speed (rpm)	3600
Dimensions (mm)	550 x 430 x 470
Net Weight (kg)	25

Semi Trash / Chemical Pump Flow Chart

