

### PRINCIPAL APPLICATIONS

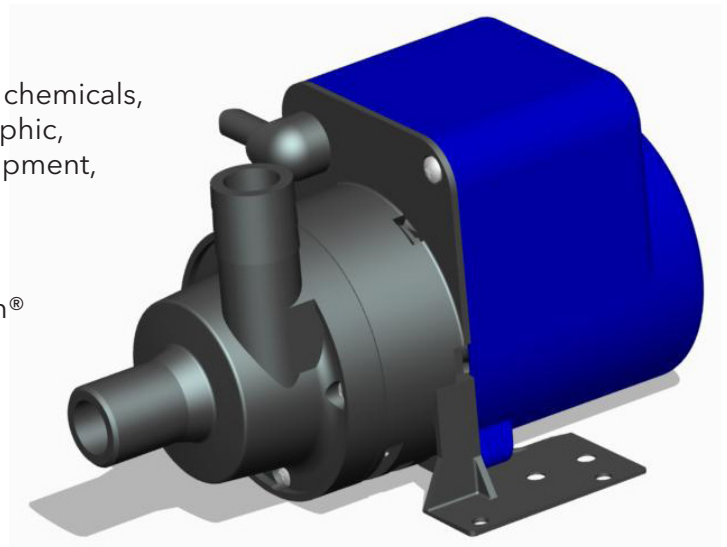
For continuous transfer/recirculation of aggressive chemicals, chilled water, pure or precious liquids, in photographic, reprographic, X-Ray and industrial processing equipment, particularly where space is limited.

### WETTED MATERIALS

- Standard EPDM 'O' ring, optional Nitrile or Viton®
- PP encapsulated magnet
- Alumina ceramic spindle
- PP pump housing
- PPS option available

### FEATURES

- Manufactured in chemical resistant thermoplastics - entirely non-metallic
- Magnetic couplings provide an energy efficient thermal shield, minimising heat transfer to pumped fluids.
- Leak free continuous operation
- Drip-proof IP22 motor housing
- Zero maintenance



### OPTIONS

#### NDP25/2 Port Details

230V 1Ph 50/60 Hz Plain 22 mm

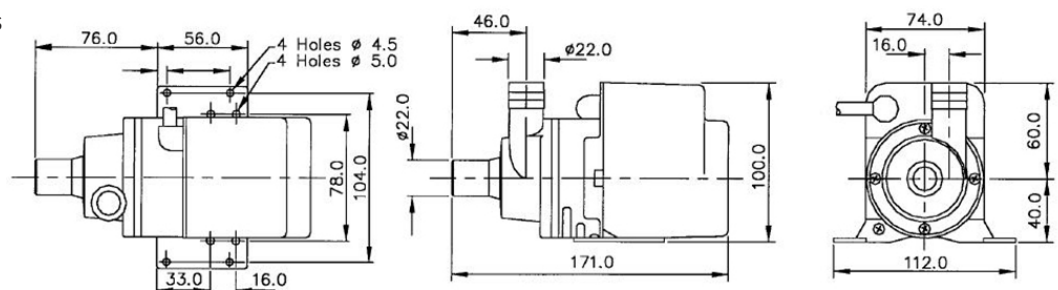
230V 1Ph 50/60 Hz 1/2" BSP M

110V 1Ph 50/60 Hz Plain 22 mm

110V 1Ph 50/60 Hz 1/2" BSP M

### DIMENSIONS

Drawings not to scale  
Dimensions in millimetres

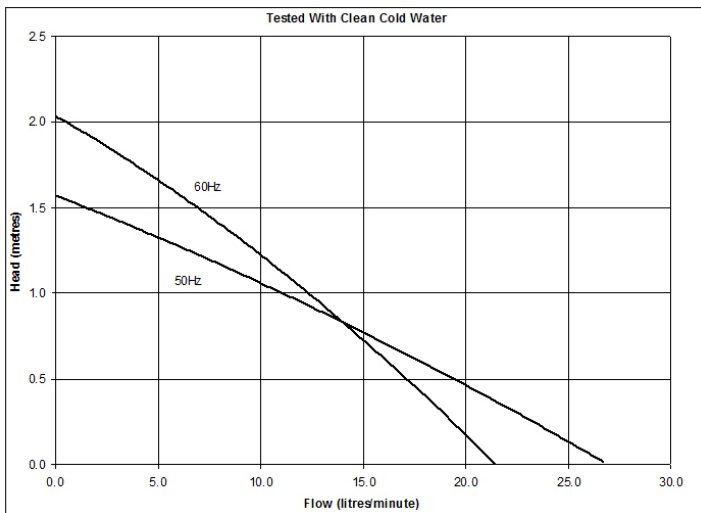


### SPECIFICATION

Model	Overall height (mm)	Overall length (mm)	Overall width (mm)	Weight (kg)	Max body pressure (bar)	Run-out flow rate (l/min)	Closed valve head (m)	Temp range (degC)	*Max specific gravity	Motor output (watts)
NDP25/2	100	171	112	1.8	1.4	50 Hz 27	1.6	-20 to +85	1.2	10
						60 Hz 21	2.1			

\*Assuming maximum viscosity of 30cp. Refer to Totton Pumps for higher viscosities and specific gravities

## PERFORMANCE



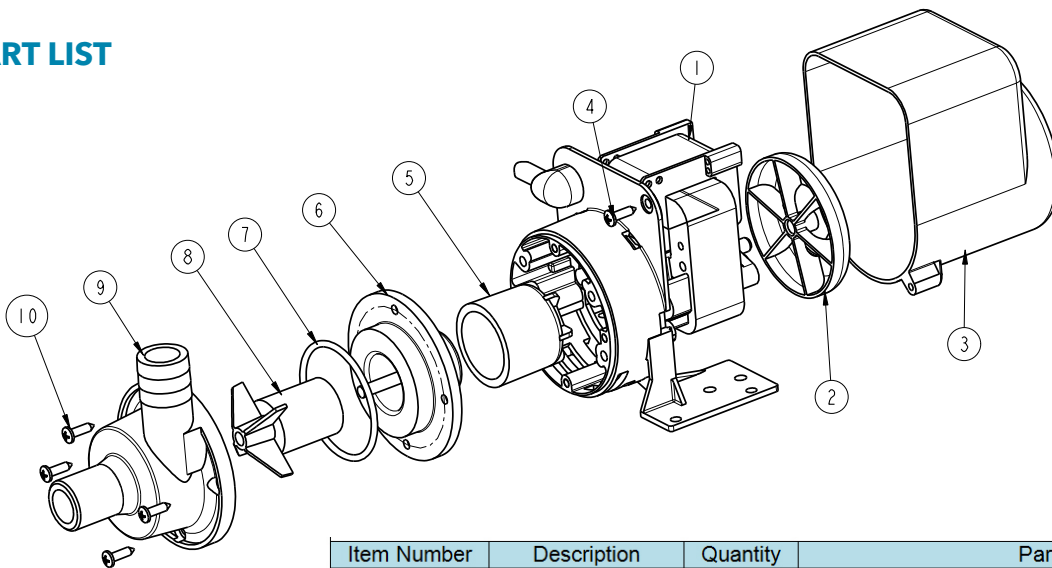
NOTE: These magnetically coupled pumps are designed for use with clean fluids.

Solids will cause jamming. Abrasives will reduce pump life and invalidate the warranty.

NDP pumps are not self priming and are not designed to run dry.

The company reserves the right to change specifications.

## PART LIST



Item Number	Description	Quantity	Part Number		
1	Motor	1	-		
2	Fan	1	033322		
3	Motor Cover	1	043333		
4	Screw	1	001739		
5	Drive Magnet	1	023267		
6	Spindle Housing	1	003271		
7	O-ring	1	013291 (EPDM)	003265 (Viton)	003224 (Nitrile)
8	Impeller	1	013268		
9	Pump Body	1	013333 (plain)	013334 (threaded)	033225 (PPS threaded)
10	Screw	4	022375		

**xylem**  
Let's Solve Water

[www.xyleminc.com](http://www.xyleminc.com)

**UK**  
**Xylem**  
Bingley Road, Hoddesdon  
Hertfordshire EN11 0BU  
Tel: +44 (0) 1992 450145  
Fax: +44 (0) 1992 467132

**USA**  
**Xylem**  
100 Cummings Center Drive  
Suite 535-N, Beverly, MA 01915  
Tel: +1 978 281-0440  
Fax: +1 978 283-2619

**ITALY**  
**Xylem**  
Via Tommaseo, 6  
20059 Vimercate, Milano  
Tel: +39 039 685 2323  
Fax: +39 039 666 307

**GERMANY**  
**Xylem**  
Oststrasse 28  
22844 Norderstedt  
Tel: +49-40-53 53 73-0  
Fax: +49-40-53 53 73-11

**JAPAN**  
**Xylem**  
3-21-10, Shin-Yokohama  
Kohoku-Ku, Yokohama, 222-0033  
Tel: +81-045-475-8906  
Fax: +81-045-477-1162

**Warranty:** All products of the company are sold, and all services of the company are offered subject to the company's warranty and terms of sale, copies of which will be furnished upon request. Details correct at time of printing. We reserve the right to change specifications without prior notice.