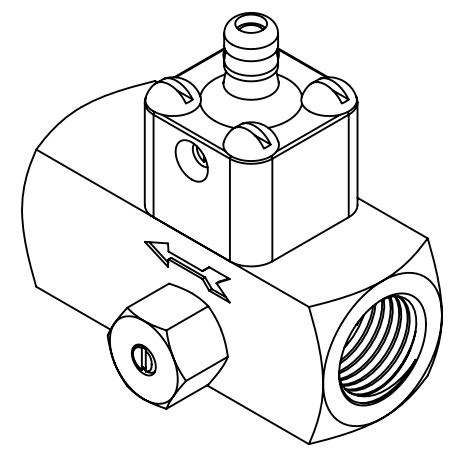
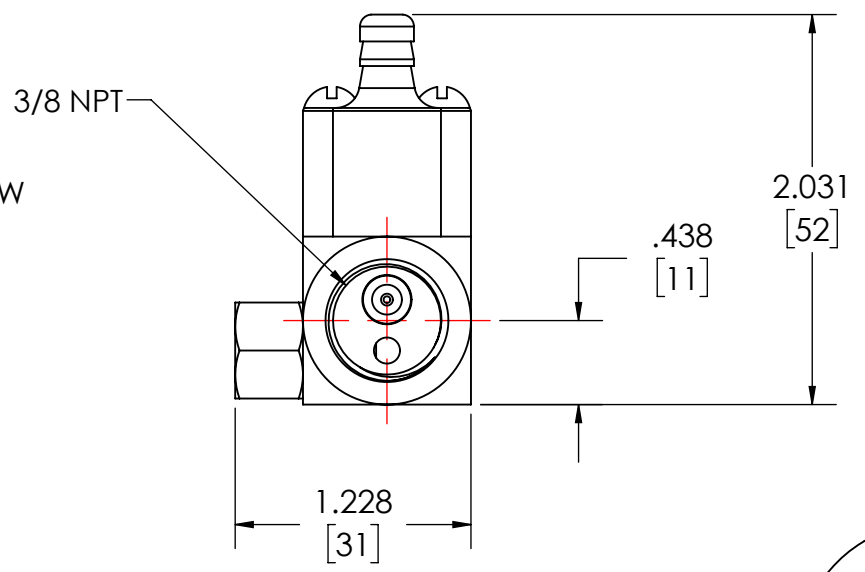
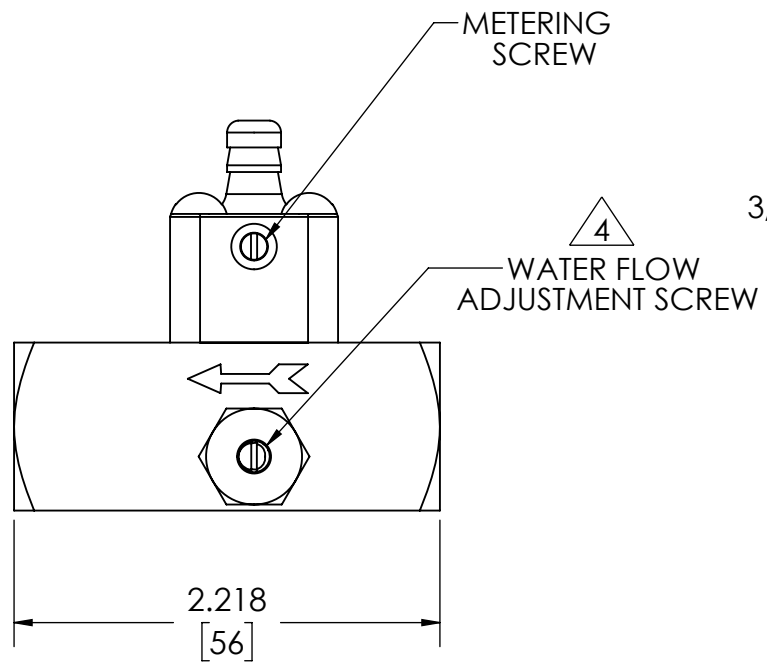
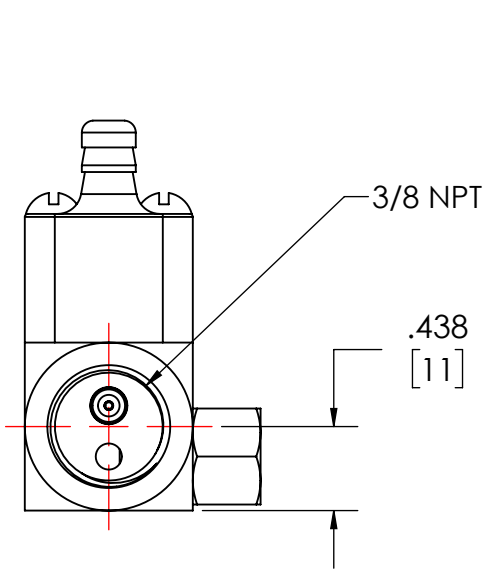
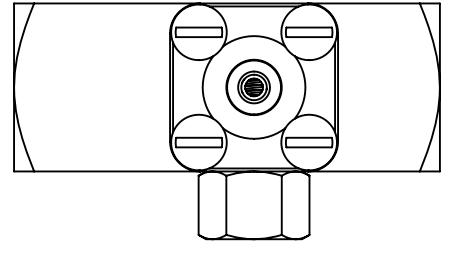


FLOW TABLE				
ORFICE SIZE	20 PSI	40 PSI	60 PSI	100PSI
.035	.30-2.3	.37-2.9	.43-3.4	.54-4.2

BSM0815  
REV.

△ 3 △ 4



NOTES:

- DIMENSIONS ARE SHOWN IN INCHES & [mm].
- FOR PRESSURES EXCEEDING 700PSI, ADD "S" SUFFIX TO MODEL P/N SPECIFYING STAINLESS STEEL KNOB.
- △ 3. OTHER FLOW RATE INFORMATION AVAILABLE FOR HIGHER PRESSURES.
- △ 4. FLOW RATE IS ADJUSTABLE WITH WATER FLOW ADJUSTMENT SCREW. CLOCKWISE TO DECREASE FLOW (LOWER GPM). COUNTER-CLOCKWISE TO INCREASE FLOW (HIGHER GPM).

3D MODEL AVAILABLE UPON REQUEST

© DEMA ENGINEERING CO. ALL RIGHTS RESERVED. THIS DRAWING AND THE INFORMATION IT CONTAINS ARE THE EXCLUSIVE PROPERTY OF DEMA ENGINEERING CO., AND NO PART OF THIS DRAWING MAY BE USED, DISCLOSED, DISTRIBUTED OR REPRODUCED IN ANY FORM OR ANY MEANS (ELECTRONIC, MECHANICAL, PHOTOCOPYING, OR OTHERWISE) WITHOUT ITS PRIOR WRITTEN PERMISSION.

CONNECTION SIZE	3/8 NPT
BODY MATERIAL	BRASS
STANDARD METERING KNOB	RYTON-UP TO 699 PSI
HIGH PRESSURE METERING KNOB	STAINLESS STEEL-OVER 700PSI
STANDARD SEALS	EPDM
AVAILABLE SEALS	VITON, AFLAS OR SILICONE
MAX INJECTION	8 oz/min
FLUID TEMPERATURE MAX	160F/77C

<b>TOLERANCES:</b>		MATERIAL		FINISH	
COMPLY WITH ENG SPEC. 2A		-		-	
DECIMAL: .XXX±.005" .XX ±.010"		SCALE	DATE	DRAWN BY	SHEET
FRACTIONAL: ±1/64" ANGULAR: ±1/2°		2:1	02/16/2017	CMJ	1
					OF
					1
					DWG.
					202B(S) INJECTOR W/METERING SCREW

<b>SALES DRAWING</b>		
REV	MFG. ENG	APPROVED
--	MDB	CFT



LAST REV: --  
DESCRIPTION:  
REV. DATE: --