

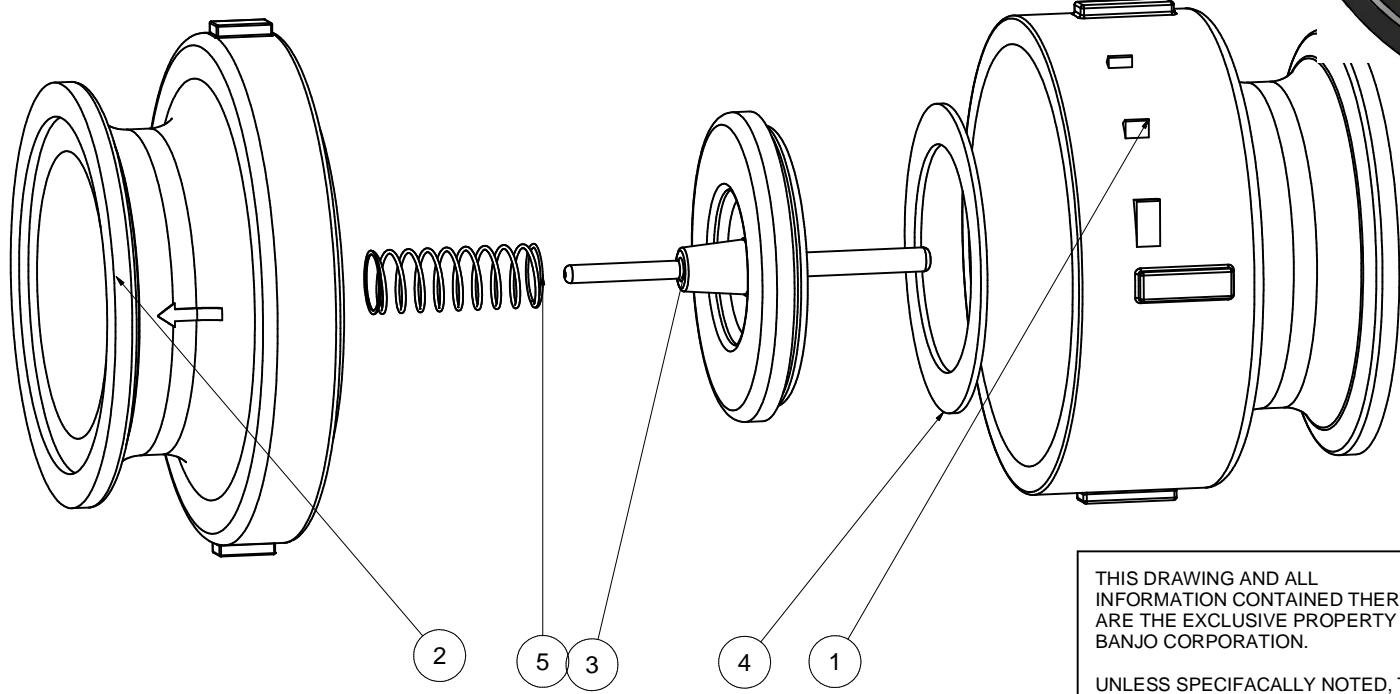
Ø5 11/32

B

B

5 9/32

Parts List					
ITEM	QTY	PART NUMBER	DESCRIPTION		
1	1	MCV30054	3" FP FMLE HALF CV END PLATE		
2	1	MCV30056	3" FP MALE HALF CV END PLATE		
3	1	CV30055	3" FP CHECK		
4	1	CV30075	GASKET		
5	1	CV21505	CV 1/2 PSI SPRING		
6	1	CV10005	PSI DECAL (N/S)		



THIS DRAWING AND ALL INFORMATION CONTAINED THEREON ARE THE EXCLUSIVE PROPERTY OF BANJO CORPORATION.

UNLESS SPECIFICALLY NOTED, THIS DRAWING AND ITEMS SHOWN ON THIS DRAWING ARE SUBJECT TO CHANGE AT ANY TIME.



**BANJO CORPORATION**

150 BANJO DRIVE, CRAWFORDSVILLE, IN 47933  
 WEB SITE: WWW.BANJOCORP.COM  
 E-MAIL: SALES1@BANJOCORP.COM

DESCRIPTION	3" FULL PORT MANIFOLD CHECKVALVE
PART NUMBER	MCV300