

Electric Valves 1½", 2" Threaded

FEATURES

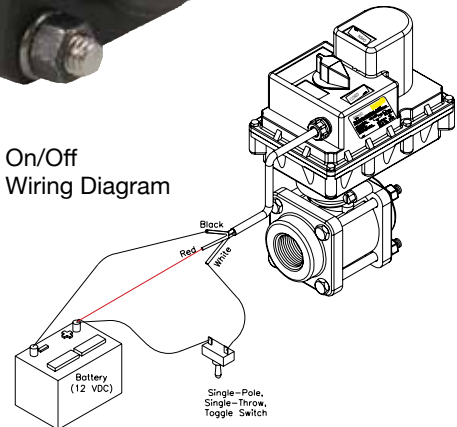
- 316 stainless steel ball & stem.
- Stainless steel hardware.
- Fiberglass reinforced polypropylene.
- Glass reinforced PTFE seats.
- FKM (viton type) or EPDM O-rings.
- 12-volt DC operated.
- 24-volt available in most models.
- 150 P.S.I. maximum pressure @ 70°F.
- Easily repairable.
- Open/closed indicator.



ON/OFF Electric Valves - 1¼ Second Response Time

1½"-2" ON/OFF ELECTRIC VALVES						
PART NO	DESCRIPTION	MAX PSI	PIPE SIZE	OPENING THRU BALL	QTY	PRICE EA
EV150	1½" Electric Valve	150	1½"	1½"	1	
EV200	2" Electric Valve	150	2"	1½"	1	

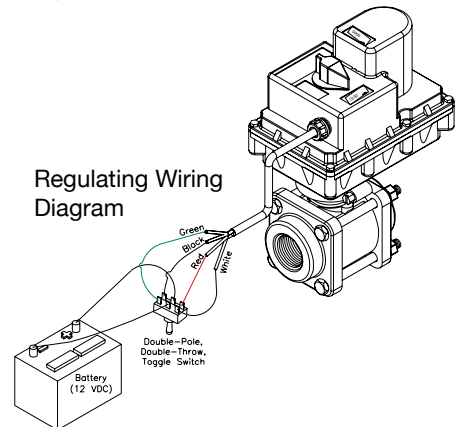
On/Off Wiring Diagram



REGULATING Electric Valves - 4 Second Response Time

1½"-2" REGULATING ELECTRIC VALVES						
PART NO	DESCRIPTION	MAX PSI	PIPE SIZE	OPENING THRU BALL	QTY	PRICE EA
EVR150	1½" Electric Valve	150	1½"	1½"	1	
EVR200	2" Electric Valve	150	2"	1½"	1	

Regulating Wiring Diagram



Note: 2 wire regulating and other response times available. Contact our Sales Team for part number and availability of valves.

