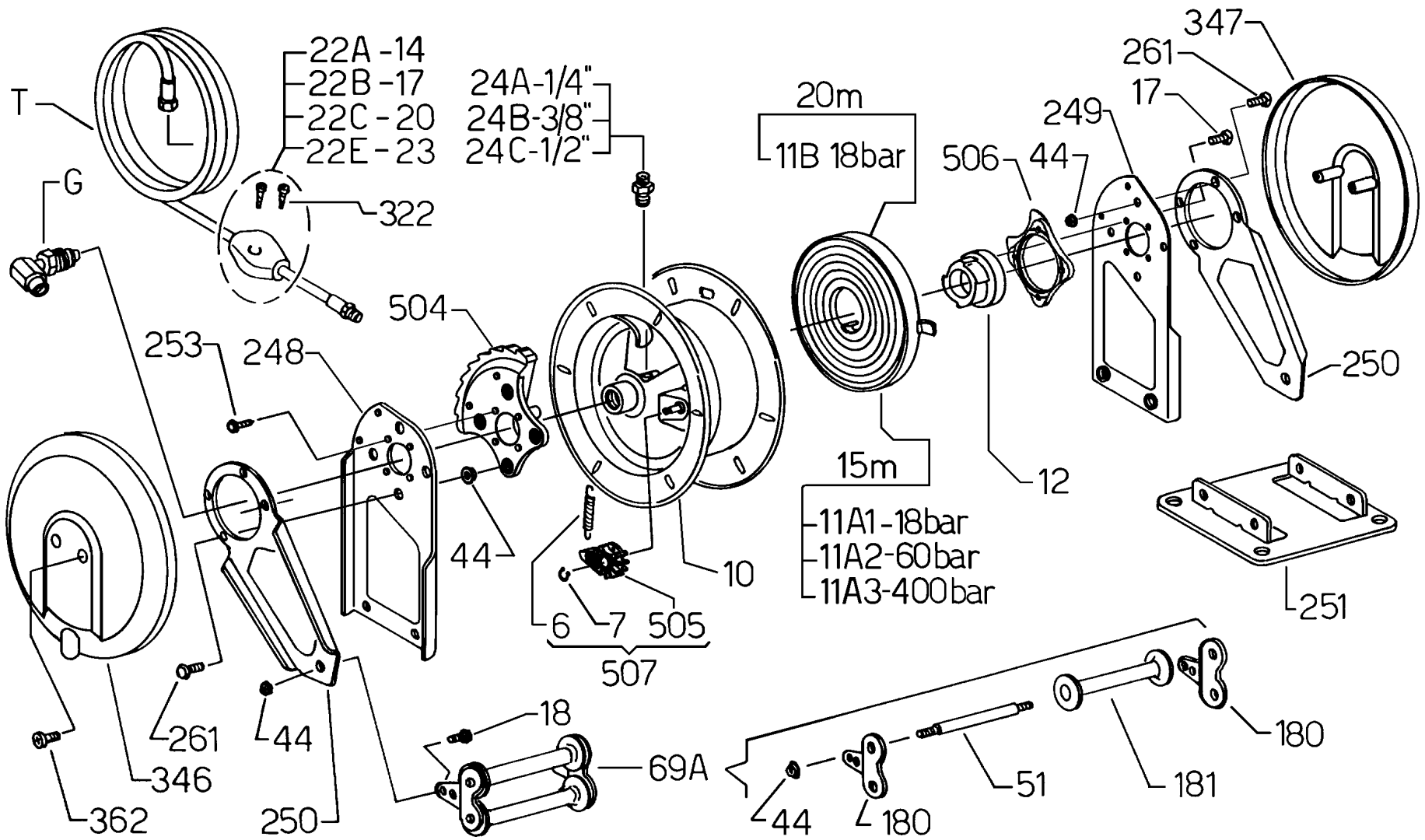


10.1 PARTI DI RICAMBIO - SPARE PARTS
 PIECES DETACHEES - ERSATZTEILE

Models V - VX



CODE	ITALIANO	ENGLISH	FRANCAIS	DEUTSCH
006	(X) MOLLA PER NOTTOLINO	SPRING FOR HOOK	RESSORT DE CLIQUET	FEDER ZU SPERRKLINKE
007	(X) SEEGER D. 10	SEEGER D. 10	CICLIPS D. 10	SEEGERRING D. 10
010	(X) TAMBURO AVVOLGITORE	WINDER DRUM	TAMBOUR	SCHLAUCHTROMMEL
011 A1	PACCO MOLLA 15m. 18 bar	SPRING 15m. 18 bar	RESSORT 15m. 18 bar	FEDERPAKET 15 m. 18 bar
011 A2	PACCO MOLLA 15m. 60 bar	SPRING 15m. 60 bar	RESSORT 15m. 60 bar	FEDERPAKET 15 m. 60 bar
011 A3	(X) PACCO MOLLA 15m. 400bar	SPRING 15m. 400 bar	RESSORT 15m. 400 bar	FEDERPAKET 15 m. 400 bar
011 B	PACCO MOLLA 20m. 18 bar	SPRING 20m. 18 bar	RESSORT 20m. 18 bar	FEDERPAKET 20 m. 18 bar
012	MOZZO ATTACCO MOLLA	SPRING LINKAGE SHAFT	MOYEU DE RESSORT	NABE ZU FEDER
017	(X) VITE TE M 6x16	SCREW TE M 6x16	VIS TE M 6x16	SCHRAUBE TE M 6x16
018	(X) VITE TE M 6x10	SCREW TE M 6x10	VIS TE M 6x10	SCHRAUBE TE M 6x10
022 A	TAMPONE D.14 (1/4")	HOSE STOPPER D.14 (1/4")	BUTEE D.14 (1/4")	SCHLAUCHSTOPPER (1/4")
022 B	TAMPONE D.17 (3/8")	HOSE STOPPER D.17 (3/8")	BUTEE D.17 (3/8")	SCHLAUCHSTOPPER (3/8")
022 C	TAMPONE D.20 (1/2")	HOSE STOPPER D.20 (1/2")	BUTEE D.20 (1/2")	SCHLAUCHSTOPPER (1/2")
022 E	TAMPONE D.23 (5/8")	HOSE STOPPER D.23 (5/8")	BUTEE D.23 (5/8")	SCHLAUCHSTOPPER (5/8")
024 A	VITE DOPPIA 1/2" - 1/4"	DOUBLE SCREW 1/2" - 1/4"	MAMELON DOUBLE 1/2"-1/4"	DOPPELNIPPEL 1/2" - 1/4"
024 B	VITE DOPPIA 1/2" - 3/8"	DOUBLE SCREW 1/2" - 3/8"	MAMELON DOUBLE 1/2"-3/8"	DOPPELNIPPEL 1/2" - 3/8"
024 C	VITE DOPPIA 1/2" - 1/2"	DOUBLE SCREW 1/2" - 1/2"	MAMELON DOUBLE 1/2"-1/2"	DOPPELNIPPEL 1/2" - 1/2"
044	(X) DADO M 6	NUT M 6	ECROU M6	MUTTER M 6
051	(X) TIRANTE L = 123	TIE ROD L = 123	TIRANT L = 123	DISTANZBOLZEN L = 123
069 A	(X) SUPPORTO RULLI MOD.A	ROLLER SUPPORT MOD. A	GUIDE TUYAU MOD. A	WALZENHALTER MOD. A
180	(X) SUPPORTO PER RULLI	ROLLERS SUPPORT	SUPPORT ROULEAUX	WALZENHALTER
181	RULLO NYLON L = 122	NYLON ROLLER L = 122	ROULEAU L = 122	KUNSTOFFVALZE L = 122
248	(X) FIANCATA SINISTRA	LEFT BODY SIDE	FLANC GAUCHE	LINKE SEITENWAND
249	(X) FIANCATA DESTRA	RIGHT BODY SIDE	FLANC DROIT	RECHTE SEITENWAND
250	(X) BRACCIO	ARM	BRAS	ARM
251	(X) PIASTRA MOD. V	PLATE MOD. V	PLAQUE MOD. V	BUGEL MOD. V
253	(X) VITE TE 6x21HILO	SCREW TE 6x21HILO	VIS TE 6x21HILO	SCHRAUBE TE 6x21HILO
261	(X) VITE TE M 6x12	SCREW TE M 6x12	VIS TE M 6x12	SCHRAUBE TE M 6x12
322	VITE TC 6x20 HILO	SCREW TC 6x20 HILO	VIS TC 6x20 HILO	SCHRAUBE TC 6x20 HILO
346	CARTER LATO GIUNTO	COVER SWIVEL SIDE	COUVERCLE EN PLASTIQUE	PLASTICABDECKUNGSEITENWAND
347	CARTER LATO MOLLA	COVER SPRING SIDE	COUVERCLE EN PLASTIQUE	PLASTICABDECKUNGSEITENWAND
362	(X) VITE TC M 6x16	SCREW TC M 6x16	VIS TC M 6x16	SCHRAUBE TC M 6x16
504	CORONA DENTATA	RATCHET PLATE WHEEL	COURONNE DENTEE	ZAHNRAD
505	NOTTOLINO	RATCHET HOOK	CLIQUET	SPERRKLINKE
506	COLLARE	COLLAR	COLLIER	KRAGEN
507	(X) KIT NOTTOLINO	RATCHET HOOK KIT	KIT CLIQUET	KIT SPERRKLINKE
G...	GIUNTO GIREVOLE	SWIVEL JOINT	RACCORD TOURNANT	VERSCHRAUBUNG
T...	TUBO FLESSIBILE	FLEXIBLE HOSE	TUYAU FLEXIBLE	FLEXIBLER SCHLAUCH

Per ordinare i pezzi di ricambio di un modello inox aggiungere al codice la lettera "X" indicata fra parentesi.
 To order the spare parts for a stainless steel model, please add to the code the letter "X" indicated between brackets.
 Pour commander les pièces détachées d'un modèle en acier inox, veuillez ajouter la lettre "X" indiquée entre parenthèses.
 Für die Bestellungen der Ersatzteile der Edelstahl-Modelle bitte der Art. - Nr. die Buchstabe "X" - in Klammern gesetzt - hinzufügen.

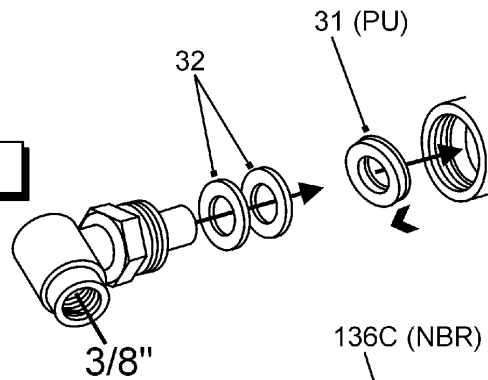
10.3

PARTI DI RICAMBIO - SPARE PARTS PIECES DETACHEES - ERSATZTEILE

60 Bar / 12 mm.

Aria - Air - Air - Luft
Acqua - Water - Eau
Wasser (40°C Max.)
Olio - Oil - Huile - Oel

65 A

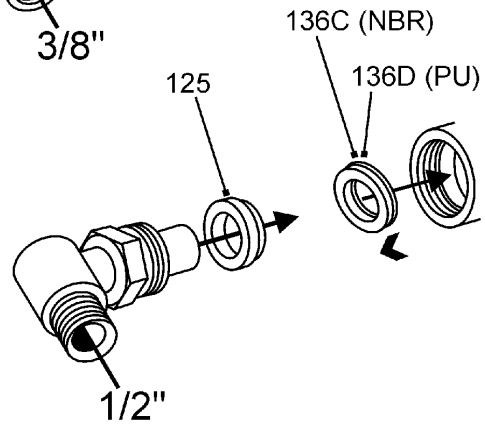


60 Bar / 16 mm.

(C) Acqua - Water
Eau - Wasser
(100°C Max.)
(D) Aria - Air - Air - Luft
Acqua - Water - Eau
Wasser (40°C Max.)
Olio - Oil - Huile - Oel

65 C X

65 D

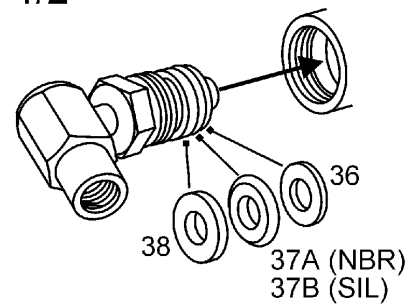


400 Bar / 11 mm.

(A) Grasso - Grease
Graisse - Fet
(B) Acqua - Water
Eau - Wasser
(150°C)

66 A 1/4"

66 B (X) 3/8"

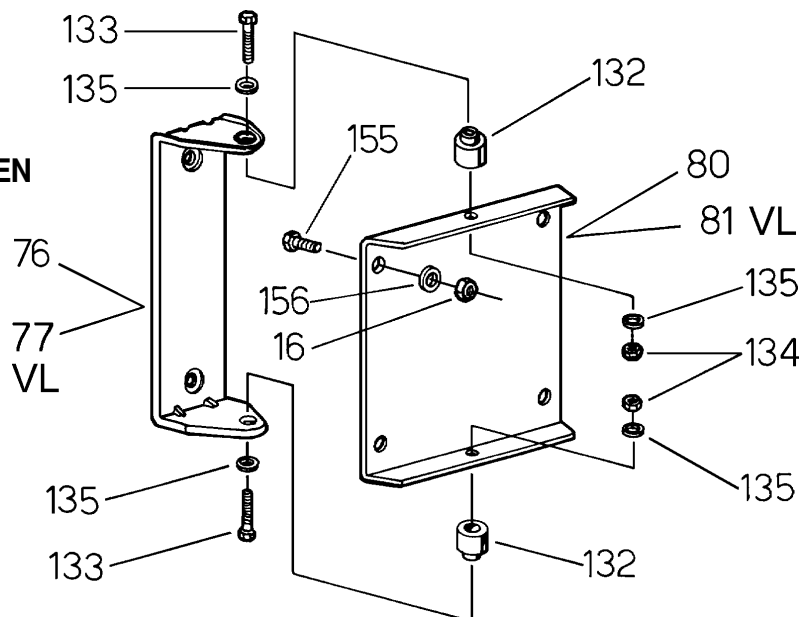


SUPPORTI GIREVOLI REVOLVING STANDS SUPPORTS PIVOTANTS SCHWENKBARE HALTERUNGEN

Per modello
For model
Für Modell
Pour modele

V
VL
VX (Inox)
VLX (Inox)

Codice
Code
Art. Nr.
Code
ASG15
ALSG20
AXSG15
ALXSG20



Per ordinare i pezzi di ricambio di un modello inox aggiungere al codice la lettera "X" indicata fra parentesi.

To order the spare parts for a stainless steel model, please add to the code the letter "X" indicated between brackets.

Pour commander les pièces détachées d'un modèle en acier inox, veuillez ajouter la lettre "X" indiquée entre parenthèses.

Für die Bestellungen der Ersatzteile der Edelstahl-Modelle bitte der Art. - Nr. die Buchstabe "X" - in Klammern gesetzt - hinzufügen.

CODE	ITALIANO	ENGLISH	FRANCAIS	DEUTSCH
031	GUARNIZIONE D.12 PU	SEAL	JOINT	DICHTUNG
032	RONDELLA D.12-24	WASHER	RONDELLE	STUTZSCHEIBE
036	RONDELLA OTTONE	BRASS WASHER	RONDELLE LAITON	EISENSCHEIBE
037 A	GUARNIZIONE D.11 NBR	SEAL	JOINT	DICHTUNG
037 B	GUARNIZIONE D.11 SIL	SEAL	JOINT	DICHTUNG
038	RONDELLA D.11-24	WASHER	RONDELLE	STUTZSCHEIBE
065 A	GIUNTO F 3/8" x 12 PU	SWIVEL	RACCORD	VERSCHRAUBUNG
065 CX	GIUNTO M 1/2" x 16 NBR	SWIVEL	RACCORD	VERSCHRAUBUNG
065 D	GIUNTO M 1/2" x 16 PU	SWIVEL	RACCORD	VERSCHRAUBUNG
066 A	GIUNTO F 1/4" x 11 NBR	SWIVEL	RACCORD	VERSCHRAUBUNG
066 B(X)	GIUNTO F 3/8" x 11 SIL	SWIVEL	RACCORD	VERSCHRAUBUNG
125	RONDELLA D.16-24	WASHER	RONDELLE	STUTZSCHEIBE
136 C	GUARNIZIONE D.16 NBR	SEAL	JOINT	DICHTUNG
136 D	GUARNIZIONE D.16 PU	SEAL	JOINT	DICHTUNG

CODE	ITALIANO	ENGLISH	FRANCAIS	DEUTSCH
016 (X)	DADO M 10	NUT M 10	ECROU M10	MUTTER M10
076 (X)	SUPPORTO MOD. V	SUPPORT MOD. V	SUPPORT MOD. V	HALTER MOD. V
077 (X)	SUPPORTO MOD. VL	SUPPORT MOD. VL	SUPPORT MOD. VL	HALTER MOD. VL
080 (X)	STAFFA PER MOD. V	BRACKET MOD. V	ETRIER MOD. V	BUGEL MOD. V
081 (X)	STAFFA PER MOD. VL	BRACKET MOD. VL	ETRIER MOD. VL	BUGEL MOD. VL
132 (X)	BOCCOLA	BUSH	BAGUE	BUCHSE
133 (X)	VITE TE M 8x45	SCREW M 8x45	VIS M 8x45	SCHRAUBE M 8x45
134 (X)	DADO M8	NUT M8	ECROU M8	MUTER M10
135 (X)	RONDELLA D. 8	WASHER D. 8	RONDELLE D. 8	RING D. 8
155 (X)	VITE TE M 10x20	SCREW M 10x20	VIS M 10x20	SCHRAUBE M 10x20
156 (X)	RONDELLA D. 10	WASHER D. 10	RONDELLE D. 10	RING D. 10