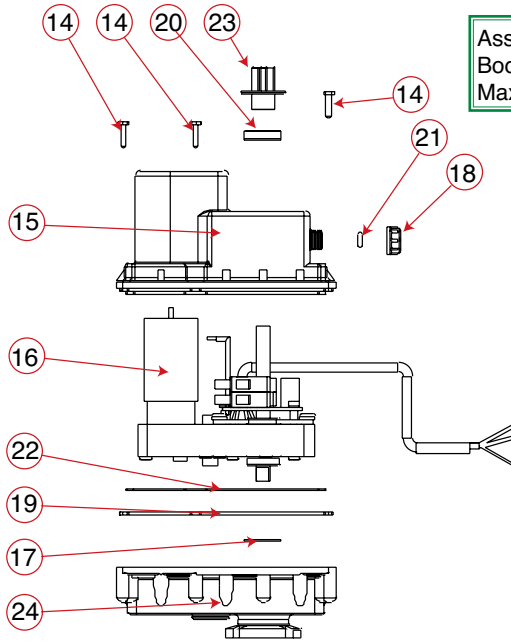
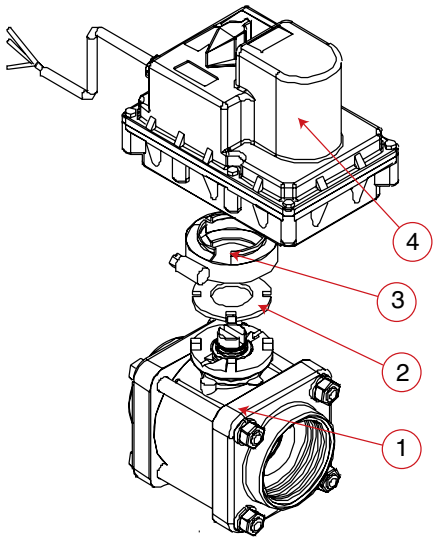
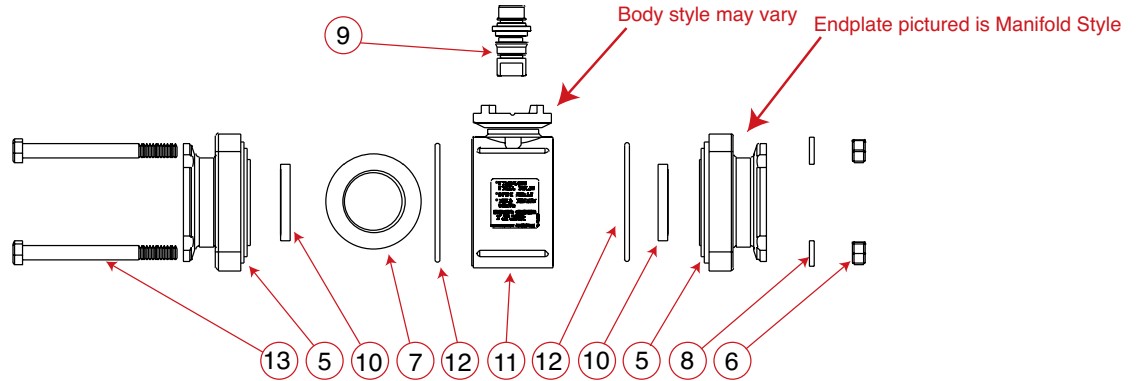


ELECTRIC VALVES

Fast repair replacement options.



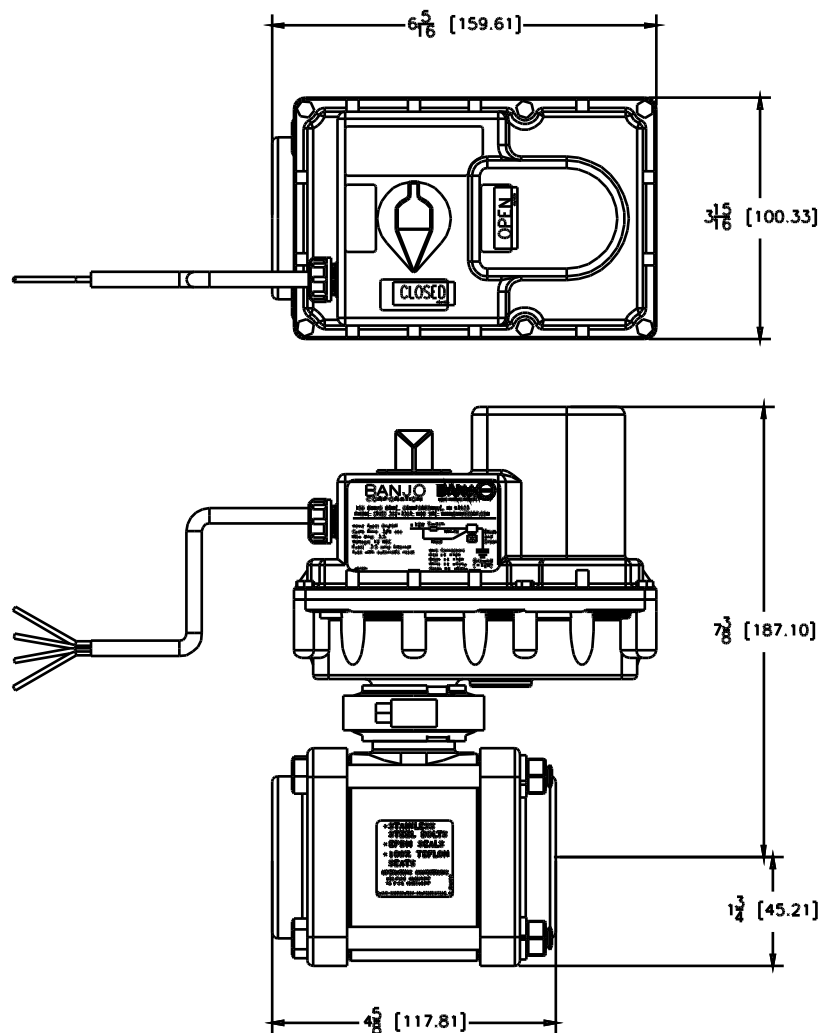
Assembly Specs:
 Body bolt tightening torque: 75 in-lb
 Max stem turning torque: 75 in-lb



ELECTRIC VALVES

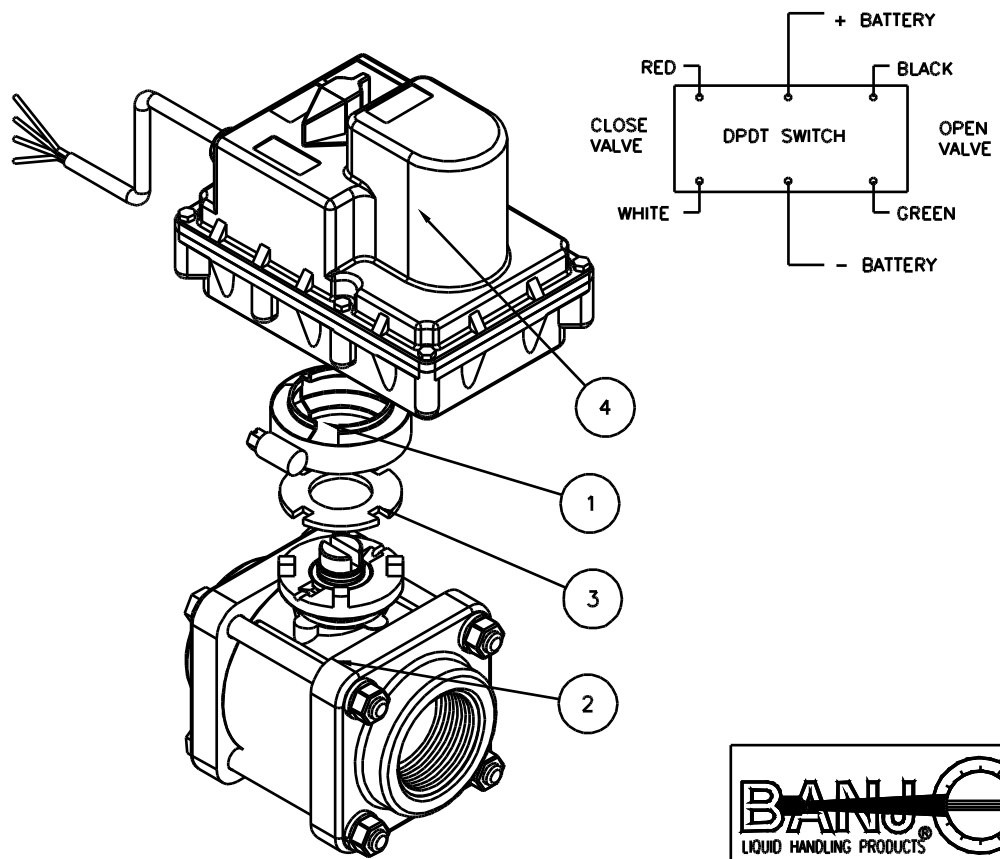
REPLACEMENT PARTS EV150-EV200-EVR150-EVR200				
ITEM	PART NO	DESCRIPTION	QTY	PRICE EA
1	EV150XR1	1½" Full Port Electric Valve Sub Assembly	1	
1	EV200XR1	2" Electric Valve Sub Assembly	1	
2	MVE004	Electric Valve Flange Gasket	1	
3	FC100	1" Flange Clamp	1	
4	EV4100	1¼ Second 3 Wire Motor Assembly	1	
4	EVR4100	Regulating 4 Wire, 4 Second	1	
4	EVR4102	Regulating 2 Wire, 6 Second	1	
5	VE20257A	1½" Threaded End Plate	2	
5	VE20256A	2" Threaded End Plate	2	
6	V20019	¾" 16 SS Hex Nut	4	
7	VE20255SSH	2" 316 SS Hollow Ball	1	
8	V20018	¾" SS Lock Washer	4	
9	MEV10151	1" SS Stem w/Seals	1	
10	VE20258A	1½" & 2" Electric Ball Seat	2	
11	MEV20254A	1½" & 2" Body	1	
12	VE20264	2" FKM (viton type) Body O-Ring	2	

REPLACEMENT PARTS EV150-EV200-EVR150-EVR200				
ITEM	PART NO	DESCRIPTION	QTY	
13	V20017	¾" x 4" SS Body Bolt	4	
14	VE15220	Housing Screw	6	
15	MEV25102A	Housing Top for Large Motor	1	
16	VE4987	1¼ Second Hi Torque On/Off Motor	1	
16	VE4988	4 Second 12 Volt Wire Regulating Motor	1	
17	MVE107	Motor Shaft Gasket	1	
18	MVE002	Heyco ¼" Threaded Bushing	1	
19	MVE104	Outer Housing Gasket	1	
20	VE109E	Indicator Seal	1	
21	MVE007	3mm x 5mm FKM (viton type) O-Ring	1	
22	MVE106	Inner Housing Gasket	1	
23	VE107B	Flow Indicator	1	
24	MEV25101	Housing Bottom for Large Motor	1	
25	EV20210	Repair Kit (Includes items 2, 9, 10, 12)	1	



Parts List			
Item	Qty	Part Number	Description
1	1	FC100	1" Flange Clamp
2	1	EV150XR1	1 1/2" Valve Only
3	1	MVE004	Weep Hole Filter
4	1	EVR4100	4 Sec, 4 Wire Reg Motor Assy

WIRING DIAGRAM



BANJO
LIQUID HANDLING PRODUCTS

BANJO CORPORATION
150 BANJO DR. • CRANFORDSVILLE, IN 47933

PART NO. EVR150

TITLE
1 1/2" Electric Valve 4 Sec, 4 Wire, Reg

THIS DRAWING AND ALL INFORMATION CONTAINED THEREON ARE THE EXCLUSIVE PROPERTY OF BANJO CORPORATION. UNLESS SPECIFICALLY NOTED, THIS DRAWING AND ITEMS SHOWN ON THIS DRAWING ARE SUBJECT TO CHANGE AT ANY TIME.